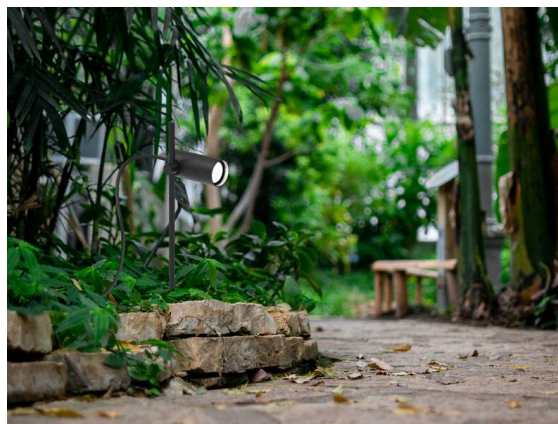


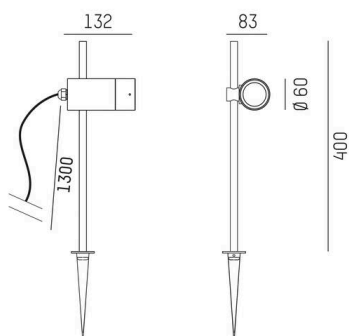
CHOPA

472-90059600

CHOPA F ERDSPIEBLEUCHTE made of aluminium, black, similar to RAL 9005, beam 38°, light output direct, with converter, dimmability: not dimmable, cable black, IP65



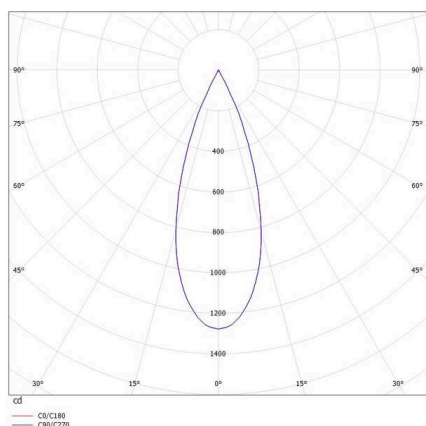
SKETCH



TECHNICAL DETAILS

Light source	LED
System performance [W]	8,5
Luminous flux [lm]	450
Colour temperature	3000K
CRI	>90
Converter	with converter
Dimmability	not dimmable
Light emission area	direct
Beam angle	38°
Voltage	220-240V 50/60Hz
Length [mm]	132
Width [mm]	132
Height [mm]	400
Diameter [mm]	60
IP protection class	IP65
IP protection class	protection cl. I
Material	aluminium
Colour of body	black
RAL	9005
Cable	black
Lifetime [h]	L80 B10 20 000
Energy efficiency class	F
Net weight [kg]	1.25
EAN number	9010506111675

LIGHT DISTRIBUTION CURVE



Energy label



The values are rated values. Power and luminous flux are initially subject to a tolerance of +/- 10%.
Colour temperature tolerance: +/- 150 K. The values apply to an ambient temperature of 25°C unless otherwise specified.