

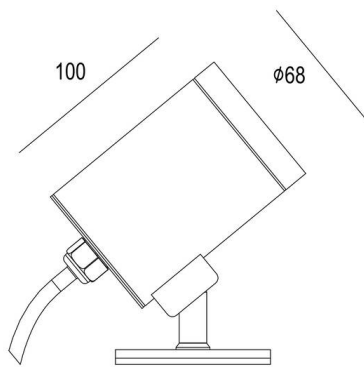
**FORIS**

**333-00084**

FORIS MINI RD F SURFACE MOUNTED SPOTLIGHT made of aluminium, anthrazite, similar to RAL 7024, high-efficiently vacuum deposited aluminium reflector without safety glass beam 60°, accessoire: ground spike, light output direct, UGR <25, swiveling 330°, tilting 90°, with converter, max. 500mA, dimmability: on/off, IP66



**SKETCH**



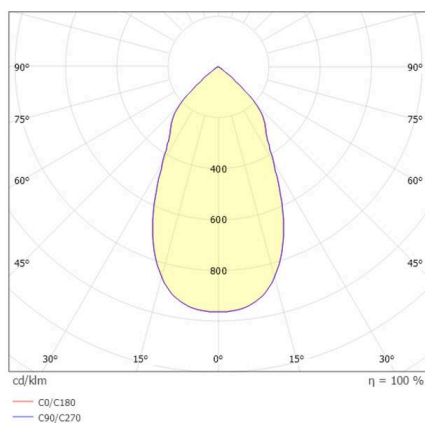
**TECHNICAL DETAILS**

Light source	LED
System performance [W]	5,5
Luminous flux [lm]	525/570
Current sec. [mA]	500
Colour temperature	2700/3000K
CRI	90
UGR	<25
Optics	aluminium reflector without protection glass
Converter	with converter
Dimmability	on/off
Light emission area	direct
Beam angle	60°
Voltage	220-240V 50/60Hz
Length [mm]	100
Diameter [mm]	68
IP protection class	IP66
IP protection class	protection cl. I
IK value	IK06
Material	aluminium
Colour of body	anthrazite
RAL	7024
Lifetime [h]	50 000 L80 B10
Ambient temperature	from -20° to +40°
Energy efficiency class	D
Number of luminaires B16A	112
Net weight [kg]	0.79
EAN number	9010979043275



Energy label

**LIGHT DISTRIBUTION CURVE**



The values are rated values. Power and luminous flux are initially subject to a tolerance of +/- 10%.  
 Colour temperature tolerance: +/- 150 K. The values apply to an ambient temperature of 25°C unless otherwise specified.