

CHOPA

333-00076

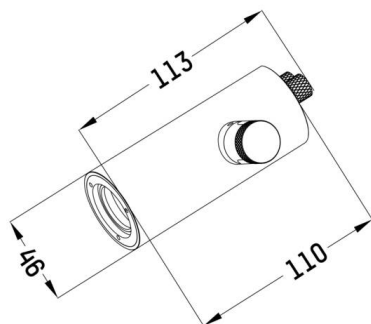
CHOPA II SPOT ERDSPIEBLEUCHTE made of aluminium, anthrazite, similar to RAL 7016, lens beam 40°, light output direct, UGR <22, swiveling 360°, tilting 360°, with converter, max. 500mA, without motion detector, IP65



TECHNICAL DETAILS

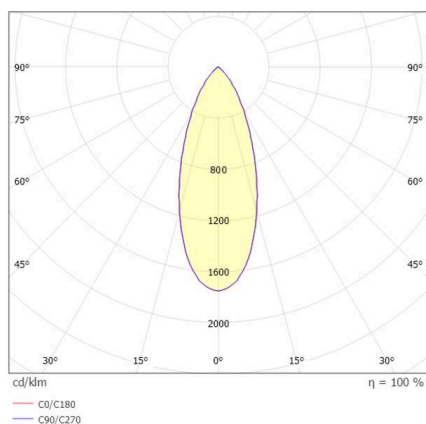
Light source	LED
System performance [W]	6
Luminous flux [lm]	350/375
Current sec. [mA]	500
Colour temperature	2700/3000K
CRI	>90
UGR	<22
Optics	lens
Converter	with converter
Light emission area	direct
Beam angle	40°
Voltage	220-240V 50/60Hz
Motion detector	without motion detector
Length [mm]	110
Diameter [mm]	46
IP protection class	IP65
IP protection class	protection cl. I
IK value	IK06
Material	aluminium
Colour of body	anthrazite
RAL	7016
Lifetime [h]	50 000
Ambient temperature	from -20° to +50°
Energy efficiency class	E
Number of luminaires B16A	112
Net weight [kg]	0.34
EAN number	9010870980204

SKETCH



Energy label

LIGHT DISTRIBUTION CURVE



The values are rated values. Power and luminous flux are initially subject to a tolerance of +/- 10%.
Colour temperature tolerance: +/- 150 K. The values apply to an ambient temperature of 25°C unless otherwise specified.