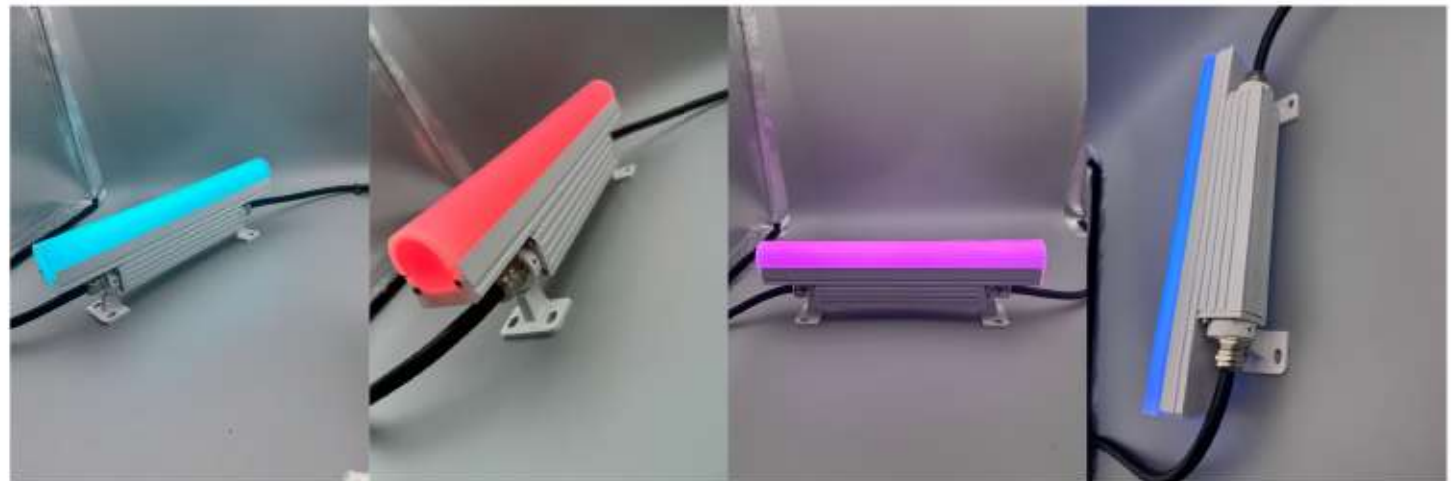
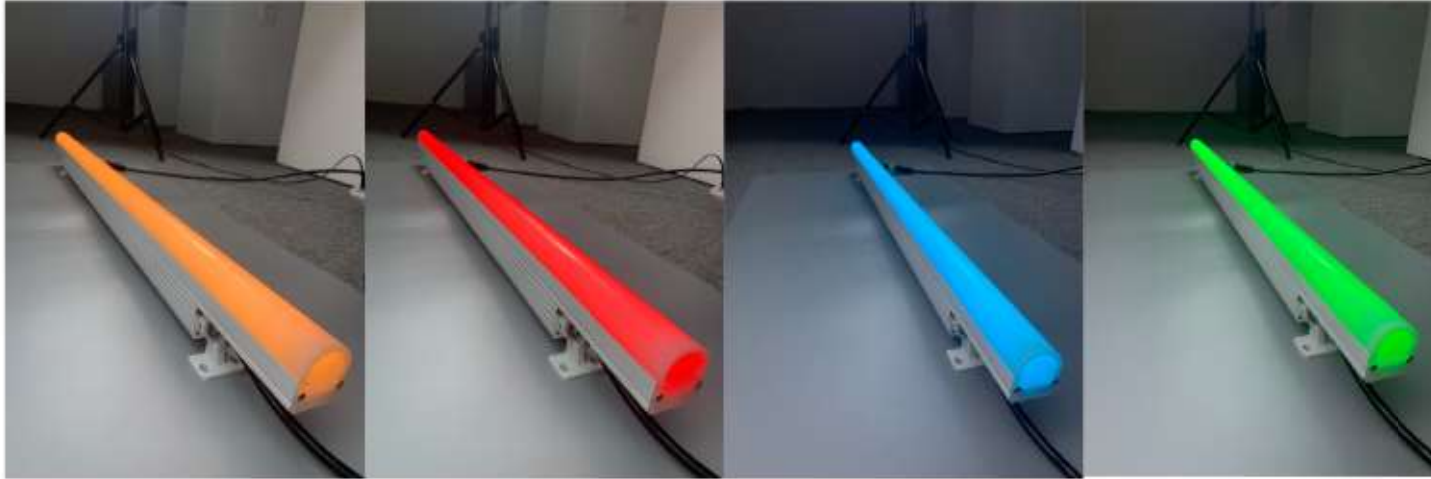


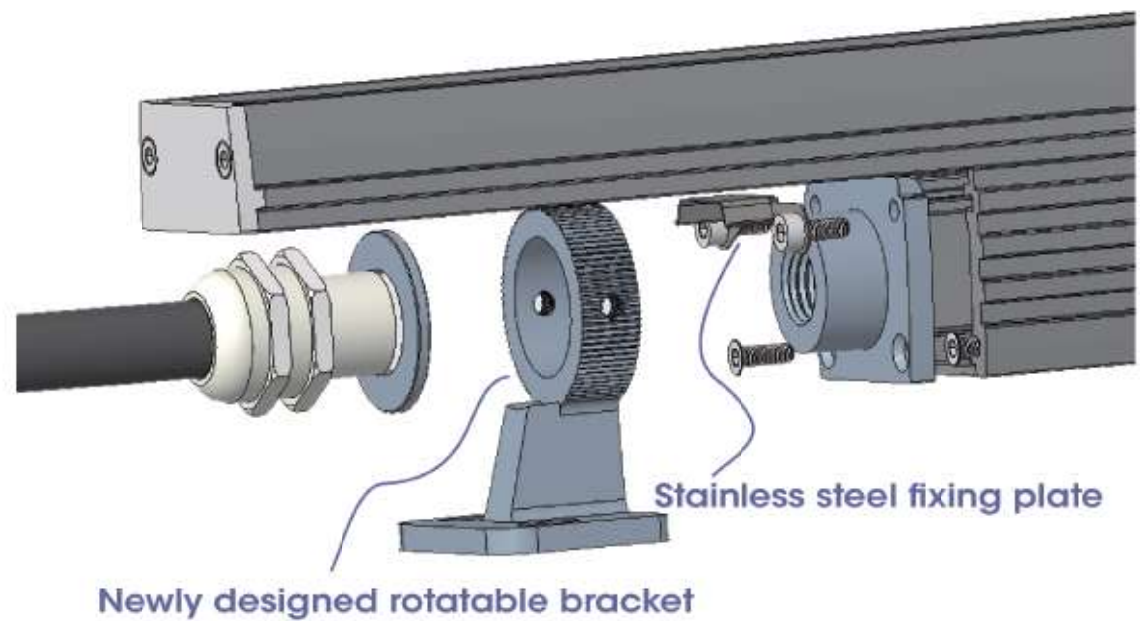
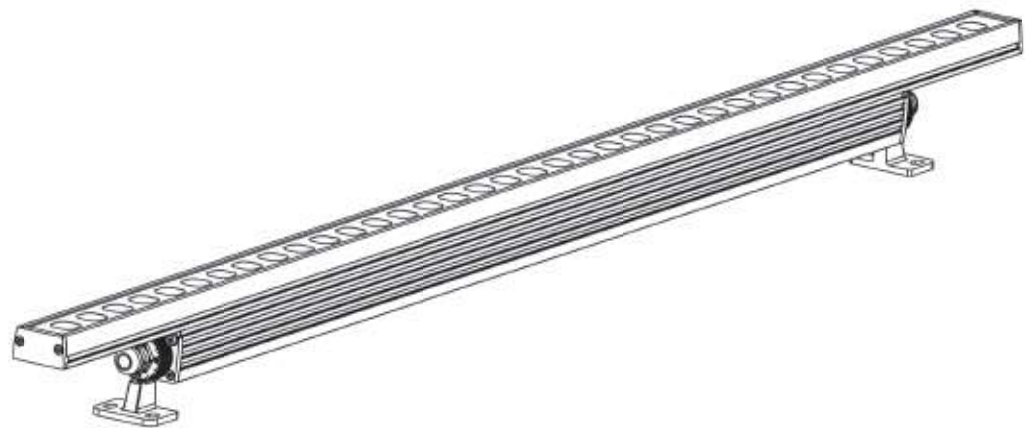
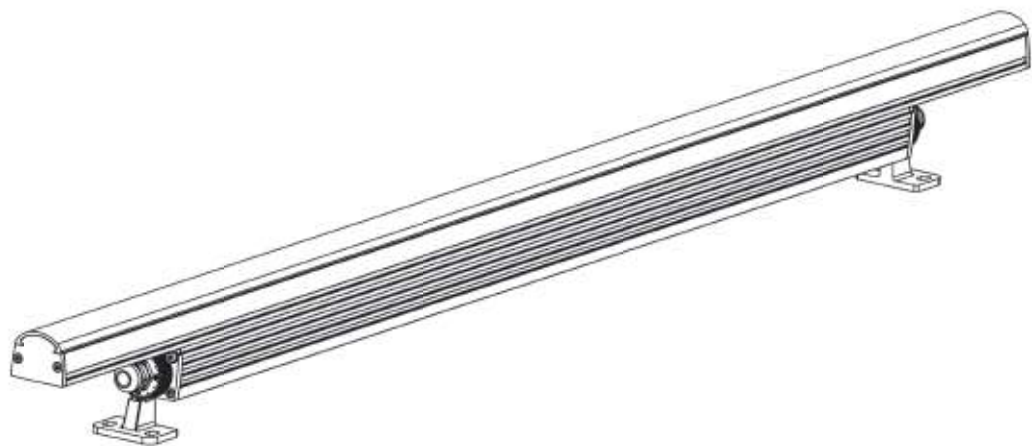
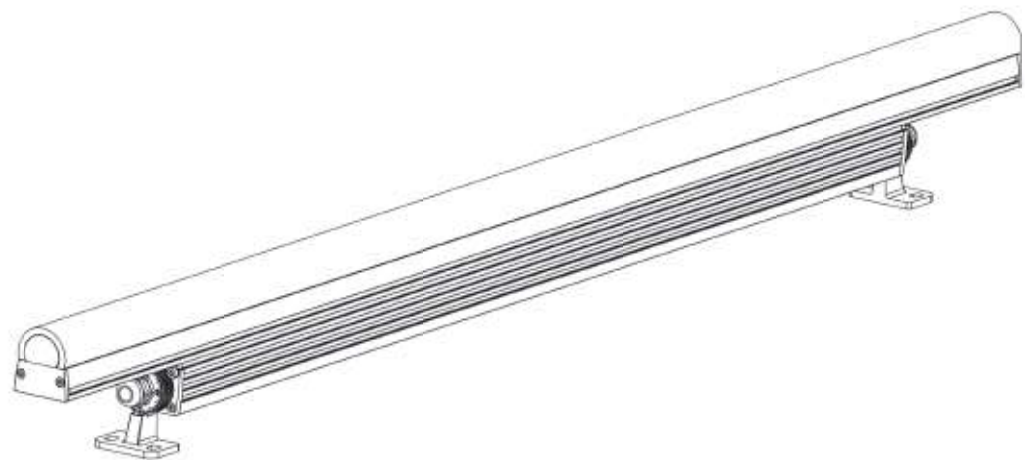
LED LINER LIGHT

TS cove light











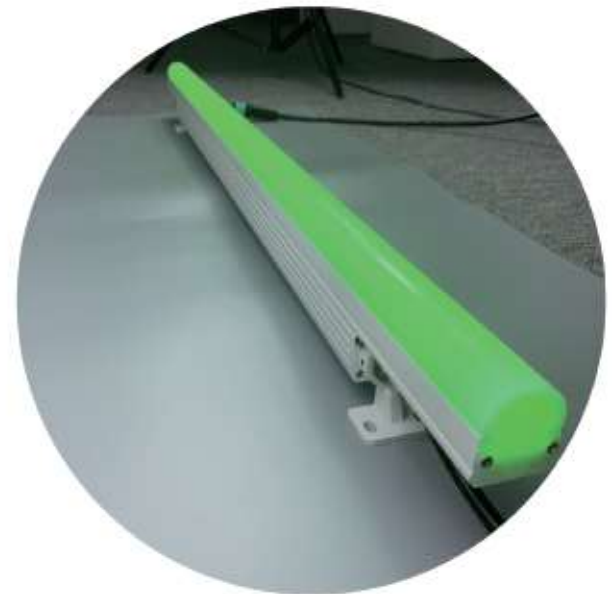
Graduated and capable of 180 ° rotation



Integrated die-casting support



Seven core quick connect waterproof plug



Acrylic lampshade illuminated without dark areas

Flexible installation methods
can be applied to various scenarios



TS Cove Lens



MODEL
WN-LNWW-36(TSL)

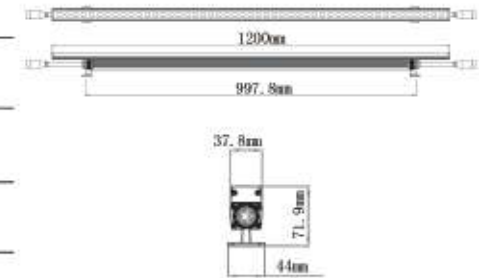
POWER
36W

INPUT VOLTAGE
DC 24V

LIGHT EFFICIENCY
90lm/W @3000K
35lm/W @RGBW

IK
08

IP RATING
66



MODEL
WN-LNWW-30(TSL)

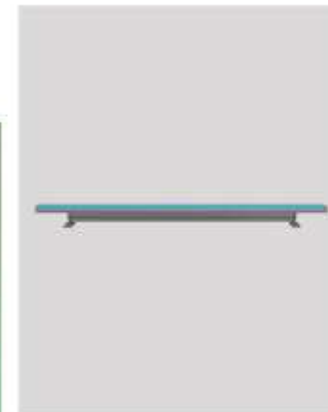
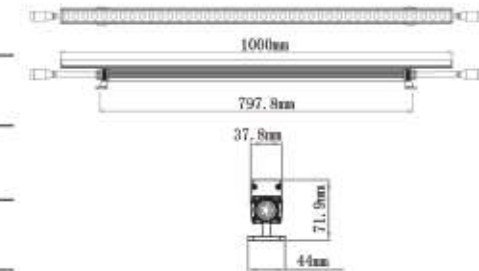
POWER
30W

INPUT VOLTAGE
DC 24V

LIGHT EFFICIENCY
90lm/W @3000K
35lm/W @RGBW

IK
08

IP RATING
66



MODEL
WN-LNWW-15(TSL)

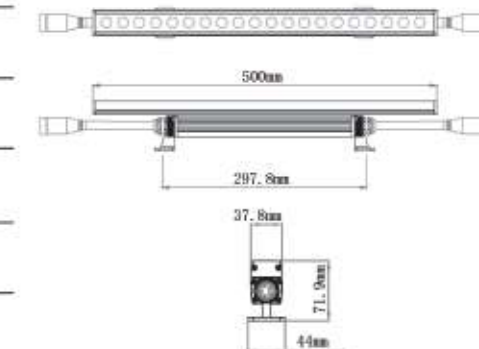
POWER
15W

INPUT VOLTAGE
DC 24V

LIGHT EFFICIENCY
90lm/W @3000K
35lm/W @RGBW

IK
08

IP RATING
66





WN-LNWW-8(TSL)

POWER

8W

INPUT VOLTAGE

DC 24V

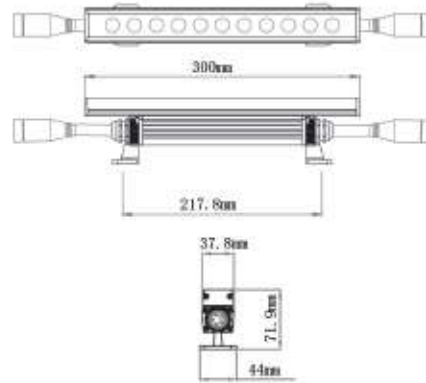
LIGHT EFFICIENCY

90lm/W @3000K
35lm/W @RGBW

IK

08

IP RATING



TS Cove Dome



MODEL

WN-LNWW-36(TSD)

POWER

36W

INPUT VOLTAGE

DC 24V

LIGHT EFFICIENCY

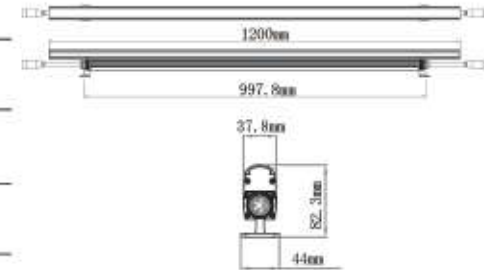
90lm/W @3000K
35lm/W @RGBW

IK

08

IP RATING

66



Optional :

Color Temperature :

2700K 3000K 4000K 5000K 5700K 6500K

Red Green Blue RGB RGBW TW

Controls :

ON/OFF DALI 0-10V PWM **D_{tw}**
DMX/RDM Remote Bluetooth

Beam Angle : 30° / 60° / 10X60°

Body colors can be customized according to requirements



MODEL

WN-LNWW-30(TSD)

POWER

30W

INPUT VOLTAGE

DC 24V

LIGHT EFFICIENCY

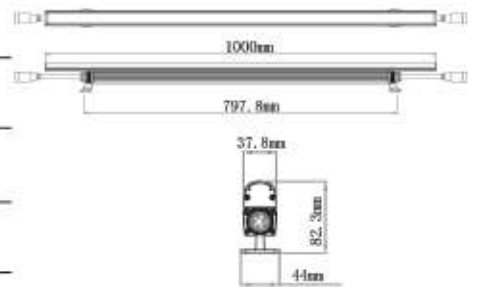
90lm/W @3000K
35lm/W @RGBW

IK

08

IP RATING

66



MODEL

WN-LNWW-15(TSD)

POWER

15W

INPUT VOLTAGE

DC 24V

LIGHT EFFICIENCY

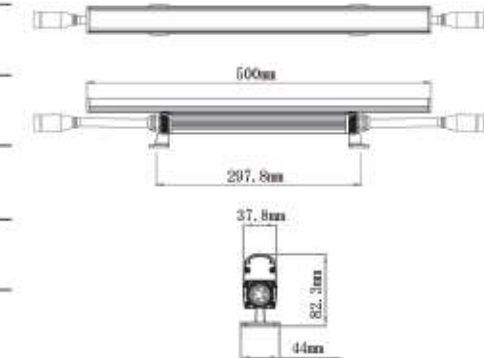
90lm/W @3000K
35lm/W @RGBW

IK

08

IP RATING

66





MODEL
WN-LNWW-8(TSD)

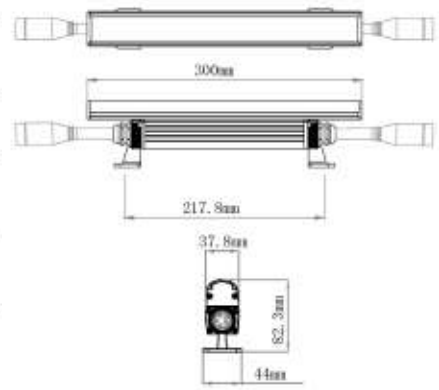
POWER
8W

INPUT VOLTAGE
DC 24V

LIGHT EFFICIENCY
90lm/W @3000K
35lm/W @RGBW

IK
08

IP RATING
66



MODEL
WN-LNWW-15(TSA)

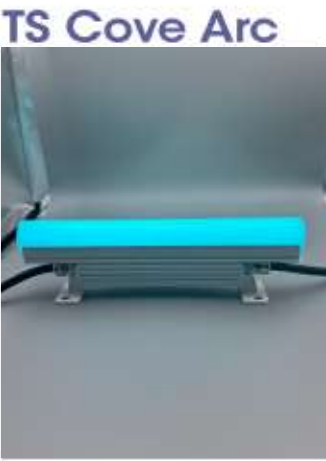
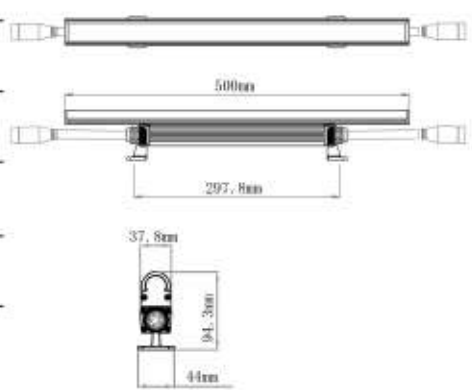
POWER
15W

INPUT VOLTAGE
DC 24V

LIGHT EFFICIENCY
90lm/W @3000K
35lm/W @RGBW

IK
08

IP RATING
66



MODEL
WN-LNWW-36(TSA)

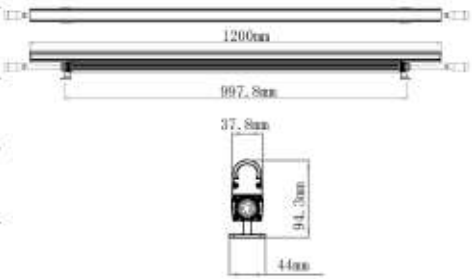
POWER
36W

INPUT VOLTAGE
DC 24V

LIGHT EFFICIENCY
90lm/W @3000K
35lm/W @RGBW

IK
08

IP RATING
66



MODEL
WN-LNWW-8(TSA)

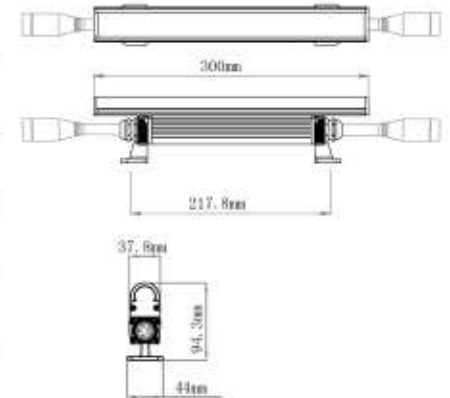
POWER
8W

INPUT VOLTAGE
DC 24V

LIGHT EFFICIENCY
90lm/W @3000K
35lm/W @RGBW

IK
08

IP RATING
66



MODEL
WN-LNWW-30(TSA)

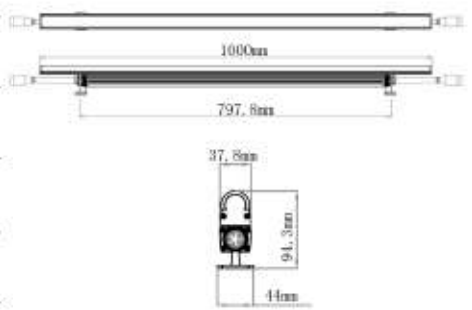
POWER
30W

INPUT VOLTAGE
DC 24V

LIGHT EFFICIENCY
90lm/W @3000K
35lm/W @RGBW

IK
08

IP RATING
66



Optional :

Color Temperature :

2700K	3000K	4000K	5000K	5700K	6500K
Red	Green	Blue	RGB	RGBW	TW

Controls :

ON/OFF DALI 0-10V PWM DMX/RDM Remote Bluetooth

Beam Angle : 120°

Body colors can be customized according to requirements

--	--	--	--