



MODEL
WN-LNWW-04(IN)

POWER
4W

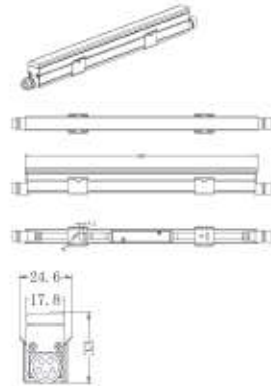
LED CHIP
CREE / OSRAM

INPUT VOLTAGE
DC 24V

LIGHT EFFICIENCY
90lm/W @3000K
35lm/W @RGBW

IK
08

IP RATING
65



MODEL
WN-LNWW-08(IN)

POWER
8W

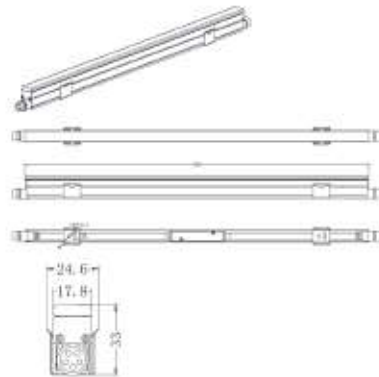
LED CHIP
CREE / OSRAM

INPUT VOLTAGE
DC 24V

LIGHT EFFICIENCY
90lm/W @3000K
35lm/W @RGBW

IK
08

IP RATING
65



MODEL
WN-LNWW-12(IN)

POWER
12W

LED CHIP
CREE / OSRAM

INPUT VOLTAGE
DC 24V

LIGHT EFFICIENCY
90lm/W @3000K
35lm/W @RGBW

IK
08

IP RATING
65



MODEL
WN-LNWW-15(IN)

POWER
15W

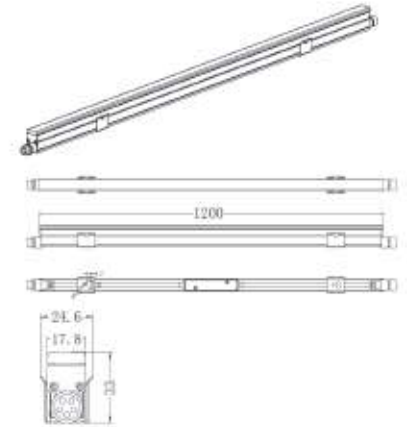
LED CHIP
CREE / OSRAM

INPUT VOLTAGE
DC 24V

LIGHT EFFICIENCY
90lm/W @3000K
35lm/W @RGBW

IK
08

IP RATING
65



Optional :

Color Temperature :



Controls :

ON/OFF DALI 0-10V PWM

Finish colors can be customized according to requirements

