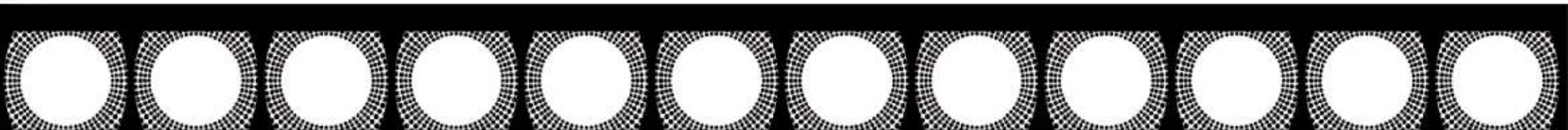


# AK48



# AK48 AC



**MODEL**  
WN-LNWW-17(AK48)

**POWER**  
17W

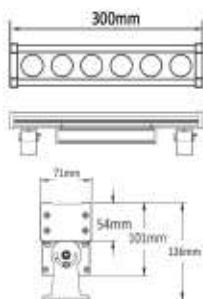
**LED CHIP**  
CREE / OSRAM

**INPUT VOLTAGE**  
AC 100-277V

**LIGHT EFFICIENCY**  
90lm/W @3000K  
35lm/W @RGBW

**IK**  
08

**IP RATING**  
66



# AK48 AC



**MODEL**  
WN-LNWW-48(AK48)

**POWER**  
48W

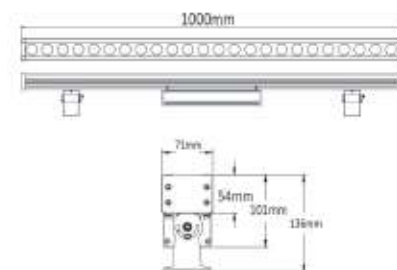
**LED CHIP**  
CREE / OSRAM

**INPUT VOLTAGE**  
DC 24V

**LIGHT EFFICIENCY**  
90lm/W @3000K  
35lm/W @RGBW

**IK**  
08

**IP RATING**  
66



**MODEL**  
WN-LNWW-36(AK48)

**POWER**  
36W

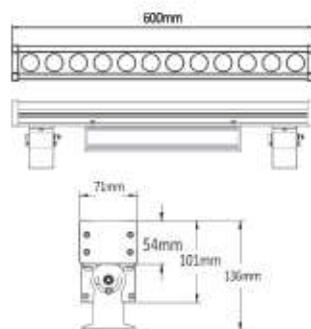
**LED CHIP**  
CREE / OSRAM

**INPUT VOLTAGE**  
AC 100-277V

**LIGHT EFFICIENCY**  
90lm/W @3000K  
35lm/W @RGBW

**IK**  
08

**IP RATING**  
66



**MODEL**  
WN-LNWW-72(AK48)

**POWER**  
72W

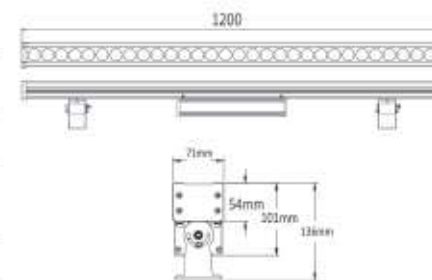
**LED CHIP**  
CREE / OSRAM

**INPUT VOLTAGE**  
DC 24V

**LIGHT EFFICIENCY**  
90lm/W @3000K  
35lm/W @RGBW

**IK**  
08

**IP RATING**  
66



## Optional :

### Color Temperature :

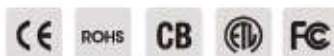


### Beam Angle :

Monochrome: 3° / 8° / 25° / 10x45°

RGB / RGBW : 8° / 25° / 10x45°

Body colors can be customized according to requirements



### Controls :

ON/OFF DALI 0-10V PWM  D<sub>TR</sub>  
DMX/RDM Remote Bluetooth



# AK48 DC



**MODEL**  
WN-LNWW-17(AK48)

**POWER**  
17W

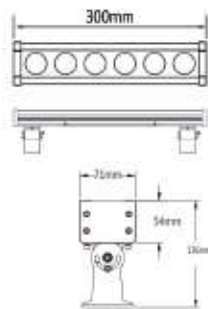
**LED CHIP**  
CREE / OSRAM

**INPUT VOLTAGE**  
AC 100-277V

**LIGHT EFFICIENCY**  
90lm/W @3000K  
35lm/W @RGBW

**IK**  
08

**IP RATING**  
66



# AK48 DC



**MODEL**  
WN-LNWW-48(AK48)

**POWER**  
48W

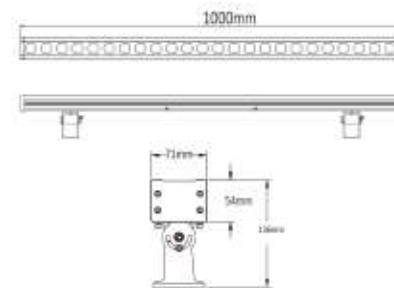
**LED CHIP**  
CREE / OSRAM

**INPUT VOLTAGE**  
DC 24V

**LIGHT EFFICIENCY**  
90lm/W @3000K  
35lm/W @RGBW

**IK**  
08

**IP RATING**  
66



**MODEL**  
WN-LNWW-36(AK48)

**POWER**  
36W

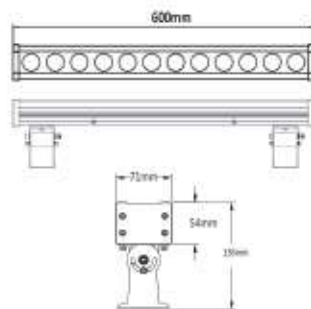
**LED CHIP**  
CREE / OSRAM

**INPUT VOLTAGE**  
AC 100-277V

**LIGHT EFFICIENCY**  
90lm/W @3000K  
35lm/W @RGBW

**IK**  
08

**IP RATING**  
66



**MODEL**  
WN-LNWW-72(AK48)

**POWER**  
72W

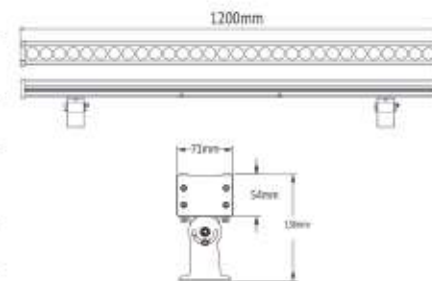
**LED CHIP**  
CREE / OSRAM

**INPUT VOLTAGE**  
DC 24V

**LIGHT EFFICIENCY**  
90lm/W @3000K  
35lm/W @RGBW

**IK**  
08

**IP RATING**  
66



## Optional :

Color Temperature :

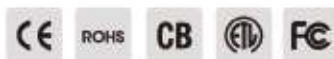


Beam Angle :

Monochrome: 3° / 8° / 25° / 10x45°

RGB / RGBW : 8° / 25° / 10x45°

Body colors can be customized according to requirements



Controls :

ON/OFF DALI 0-10V PWM  Dtw

DMX/RDM Remote  Bluetooth

