



Linear Wall Washer

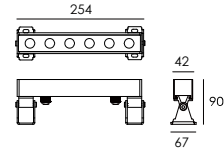




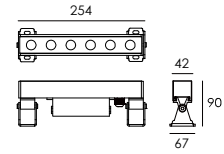


ITEM	B6KD0657
LIGHT SOURCE	6×1.8W
LENS	B17
SELECTED DEGREE(°)Ø1/2	20°(B17/20°)
LENGTH(MM)	254
INPUT VOLTAGE(V)	DC 24 120 240
OPERATING CURRENT(MA)	DC 24=580 120=95 240=50
CONSUMPTION(W)	DC 24=14 120=11 240=11.2
LUMINANCE(LM)	low voltage: CW=800 WW=724 high voltage: CW=760 WW=700
IK	05

(low voltage)

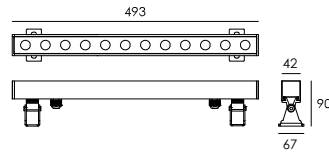


(high voltage)

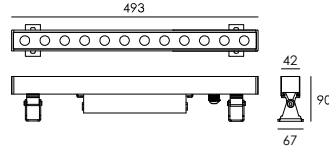


ITEM	B6KD1257
LIGHT SOURCE	12×1.5W
LENS	B17
SELECTED DEGREE(°)Ø1/2	20°(B17/20°)
LENGTH(MM)	493
INPUT VOLTAGE(V)	DC 24 120 240
OPERATING CURRENT(MA)	DC 24=1000 120=203 240=109
CONSUMPTION(W)	DC 24=24 120=24.4 240=25.5
LUMINANCE(LM)	low voltage: CW=1485 WW=1263 high voltage: CW=1637 WW=1392
IK	05

(low voltage)

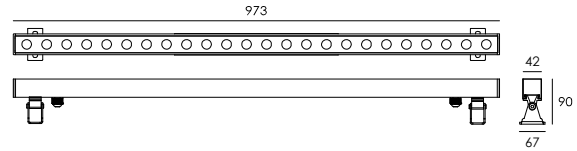


(high voltage)

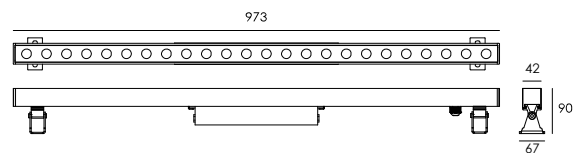


ITEM	B6KD2457
LIGHT SOURCE	24×1.5W
LENS	B17
SELECTED DEGREE(°)Ø1/2	20°(B17/20°)
LENGTH(MM)	973
INPUT VOLTAGE(V)	DC 24 120 240
OPERATING CURRENT(MA)	DC 24=1985 120=414 240=212
CONSUMPTION(W)	DC 24=47 120=48.0 240=48.3
LUMINANCE(LM)	low voltage: CW=2900 WW=2470 high voltage: CW=3270 WW=2780
IK	05

(low voltage)

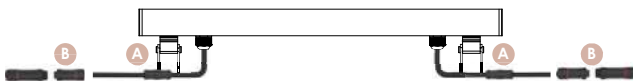


(high voltage)

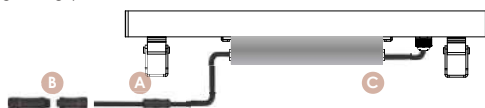


WATER PROOF SOLUTION

(low voltage)



(high voltage)



A Water-Stopper(Included)


A IP-65 water-stopper is added in the end of luminaires as standard assembly which is also an important system for water resistance.

B IP67 Jiffy quick plug/socket connector(Option)

A IP-67 connector is as an optional assembly and ensures that water vapor will not enter into luminaires directly.

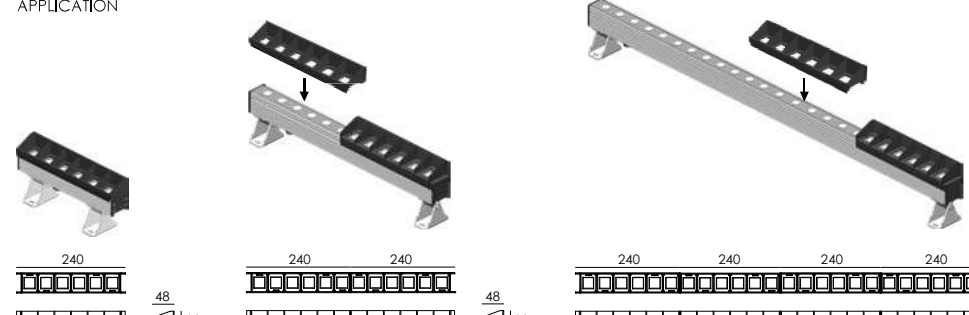
C High voltage driver IP65

ANTI GLARE LOUVER(Optional)



6001#

APPLICATION



HOUSING
Extruded aluminum anodized finishing

BRACKET
Aluminum anodized finishing

LIGHT WINDOW
Tempered glass.T=2mm

GASKET
Glass and housing are silicone sealed

LENS
OPTICS lens efficiency≥85%

LED
Single color ORSAM LED


OPERATING TEMPERATURE
-20°C~40°C

POWER CABLE
Outside of Luminaire
H05RN-F 2×1.0mm², L=0.5m(12V/24V)
H05RN-F 3×1.0mm², L=0.5m(120V/240V)

DIMMING SUPPORT
Triac PWM Available
1-10V Dali Customized

OPTICS

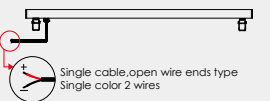
Referenced Degree(°)θ1/2

	B17	15°	20°	30°	45°
---	-----	-----	-----	-----	-----

CONNECTION


LOW VOLTAGE INPUT (24VDC) POWER CORD MODEL

LSO type



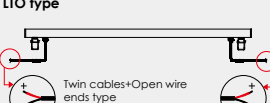
Single cable,open wire ends type
Single color 2 wires

LSP type



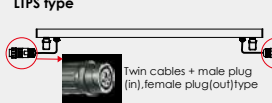
Single cable + male plug type

LTO type



Twin cables +Open wire ends type
Single color 2 wires

LTPS type

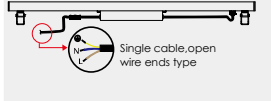


Twin cables + male plug (in),female plug(out)type
Single cable + male plug type

-Low voltage input defult: Twin LTO type power cable, waterproof plugs are not included. (Other power cable type and plugs are optional)

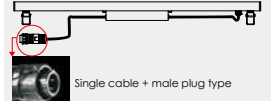
HIGH VOLTAGE INPUT (100V-240V) POWER CORD WIRING MODEL

HSO type



Single cable,open wire ends type

HSP type



Single cable + male plug type

-High voltage input defult: Single HSO type power cable, waterproof plugs are not included. (Other power cable type and plugs are optional)

PHOTOMETRIC(Non anti glare louver)

