

NANO SPOT



MODEL
WN-SP-NS-57762

POWER
MAX. 5W

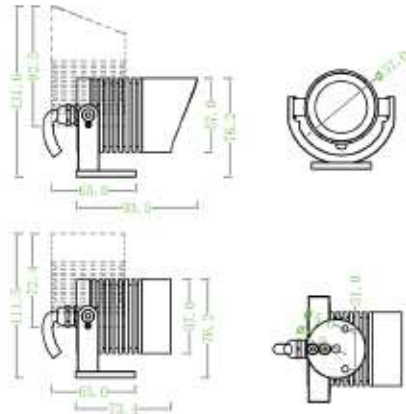
LED CHIP
CREE / OSRAM

INPUT VOLTAGE
DC 24V / AC 110-277V

LIGHT EFFICIENCY
70lm/W @3000K
35lm/W @RGBW

IK
08

IP RATING
66



MODEL
WN-SP-NS-64868

POWER
MAX. 9W

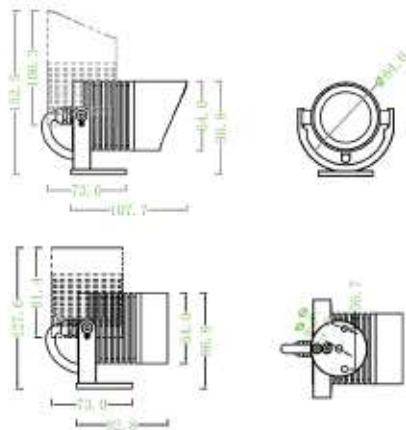
LED CHIP
CREE / OSRAM

INPUT VOLTAGE
DC 24V / AC 100-277V

LIGHT EFFICIENCY
80lm/W @3000K
35lm/W @RGBW

IK
08

IP RATING
66



MODEL
WN-SP-NS-71934

POWER
MAX. 15W

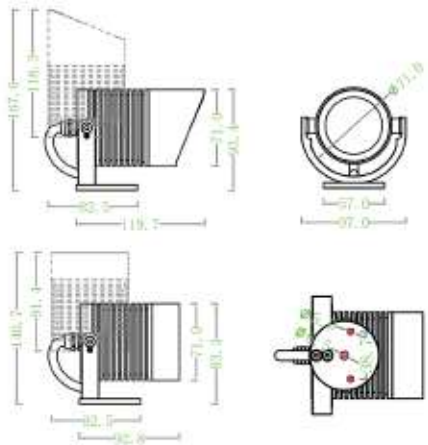
LED CHIP
CREE / OSRAM

INPUT VOLTAGE
DC 24V / AC 100-277V

LIGHT EFFICIENCY
80lm/W @3000K
35lm/W @RGBW

IK
08

IP RATING
66



MODEL
WN-SP-DE-81104

POWER
MAX. 18W

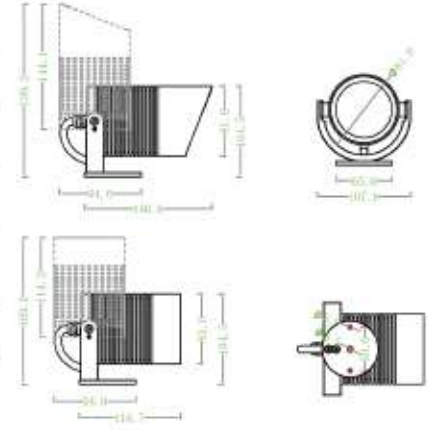
LED CHIP
CREE / OSRAM

INPUT VOLTAGE
DC 24V / AC 110-277V

LIGHT EFFICIENCY
85lm/W @3000K
35lm/W @RGBW

IK
08

IP RATING
66



Optional :

Color Temperature :

- 2700K
- 3000K
- 4000K
- 5700K
- 6500K

- Red
- Green
- Blue
- RGB
- RGBW
- TW

Beam angle AC: 13°/24°/38°/55°
DC: 5°/10°/15°/25°/30°/40°/60°

- Controls :**
- ON/OFF DALI 0-10V PWM
 - DMX/RDM Remote



Body colors can be customized according to requirements