



MODEL
WN-SL-50110

Power
5W

Luminous flux
450Lm

CRI
≥80Ra

LED Chip
CREE

Input voltage
DC12V / DC24V

Beam angle
15°/24°/36°

CCT
2700K/3000K/4000K/6500K

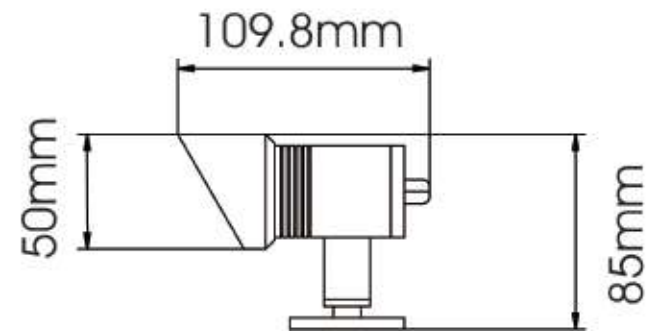
Material
Body 6063 Aluminum

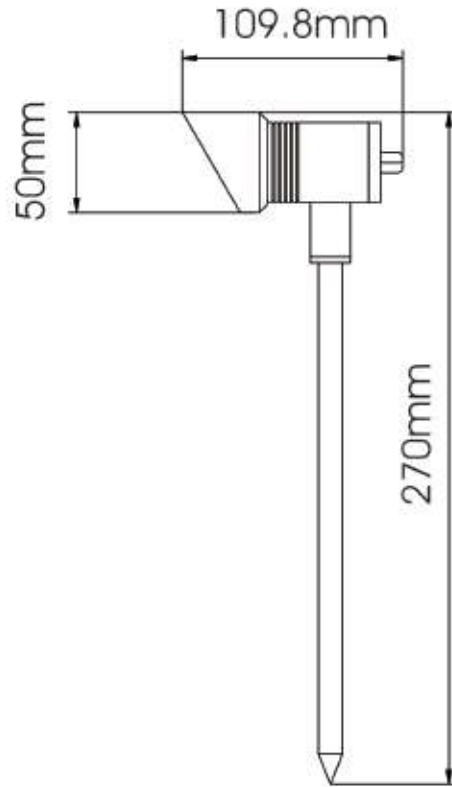
Operating temperature
-25°C ~ 45°C

IK
08

IP Rating
IP67

Life
≥ 50000h





MODEL

WN-SL-50110

Power

5W

Luminous flux

450Lm

CRI

≥ 80Ra

LED Chip

CREE

Input voltage

DC12V / DC24V

Beam angle

15°/24°/36°

CCT

2700K/3000K/4000K/6500K

Material

Body 6063 Aluminum

Operating temperature

-25 °C ~ 45 °C

IK

08

IP Rating

IP67

Life

≥ 50000h



