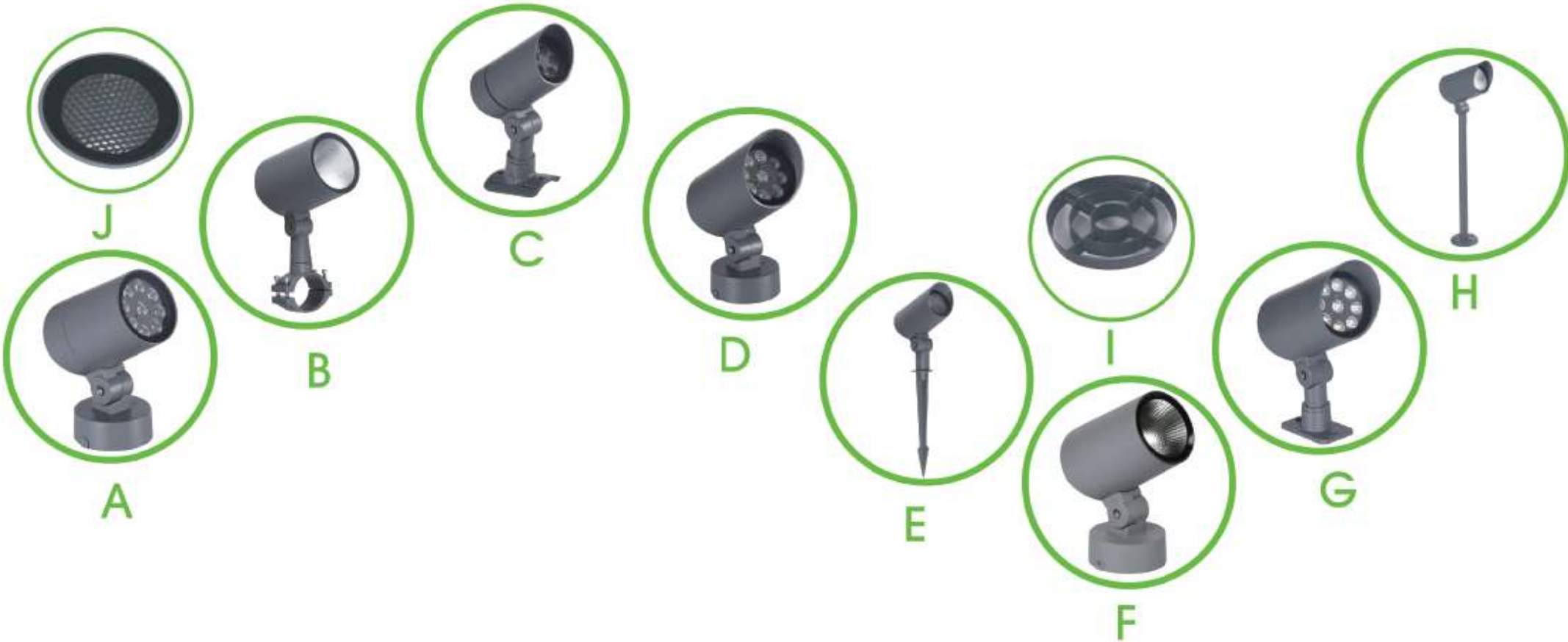


LED SPOT LIGHT

GLORY Series



GLORY



- A** Surface Based Mounted
- B** Pole Hold
- C** Pole Base
- D** Visor
- E** Spike
- F** Reflector
- G** Wall Base
- H** Lawn Pole
- I** Louver
- J** Honeycomb



Aluminum lamp body

Thickened aluminum lamp body sturdy and durable, not easy to rust fast heat dissipation



High brightness LED chip

Adopting OSRAM or CREE LED bead chips, High brightness, low light decay



Adjustable bracket

Adopting adjustable brackets, different types of brackets can be replaced according to the lighting requirement





MODEL
WN-SP-60128

POWER
7W

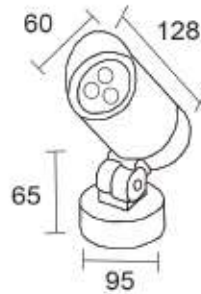
LED CHIP
CREE / OSRAM

INPUT VOLTAGE
AC 220V / DC 24V

LIGHTING EFFICIENCY
80lm / W @ 3000K
30lm / W @ RGBW

IK
08

IP RATING
65



MODEL
WN-SP-120230

POWER
30W

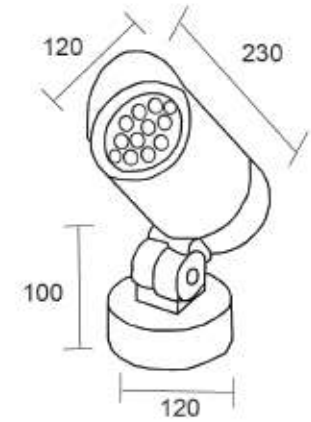
LED CHIP
CREE / OSRAM

INPUT VOLTAGE
AC 220V / DC 24V

LIGHTING EFFICIENCY
80lm / W @ 3000K
30lm / W @ RGBW

IK
08

IP RATING
65



MODEL
WN-SP-80170

POWER
12W

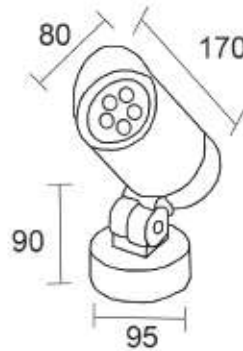
LED CHIP
CREE / OSRAM

INPUT VOLTAGE
AC 220V / DC 24V

LIGHTING EFFICIENCY
80lm / W @ 3000K
30lm / W @ RGBW

IK
08

IP RATING
65



MODEL
WN-SP-140260

POWER
46W

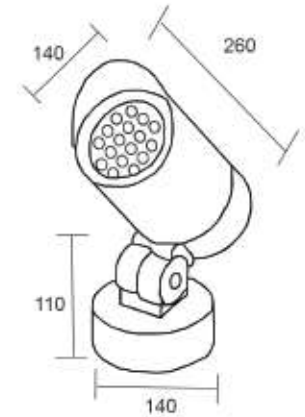
LED CHIP
CREE / OSRAM

INPUT VOLTAGE
AC 220V / DC 24V

LIGHTING EFFICIENCY
80lm / W @ 3000K
30lm / W @ RGBW

IK
08

IP RATING
65



MODEL
WN-SP-10020

POWER
20W

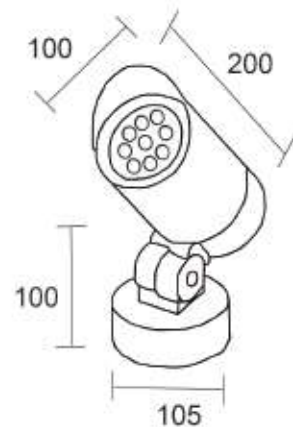
LED CHIP
CREE / OSRAM

INPUT VOLTAGE
AC 220V / DC 24V

LIGHTING EFFICIENCY
80lm / W @ 3000K
30lm / W @ RGBW

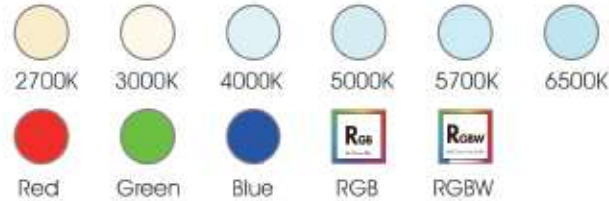
IK
08

IP RATING
65



Optional :

Color Temperature :



Beam Angle :

Single CCT : 8°/10°/15°/25°/35°/45°/60°/10x30°/15x30°
RGB/RGBW : 8°/15°/30°/45°/60°

Body colors can be customized according to requirements



Controls :

ON/OFF DALI 0-10V PWM D_{tw}

DMX/RDM Remote Bluetooth

Accessory :

