



ITEM
A6LE0658

LIGHT SOURCE
6x4W Nichia

LENS
A24

LENS OPTIONAL DEGREE
15°(A24/15°)

LENGTH(MM)
500

INPUT VOLTAGE(V)
DC 24 120 240

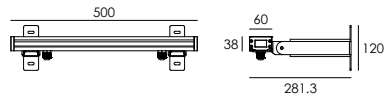
OPERATING CURRENT(MA)
DC 24=1200 120=222 240=114

CONSUMPTION(W)
DC 24=28.8 120=26 240=26.1

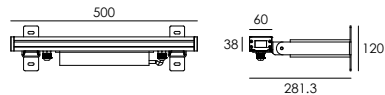
LUMINANCE(LM)
CW=2236 WW=1834

IK
05

(low voltage)



(high voltage)



ITEM
A6LE1258

LIGHT SOURCE
12x4W Nichia

LENS
A24(A24/15°)

LENS OPTIONAL DEGREE
15°

LENGTH(MM)
1000

INPUT VOLTAGE(V)
DC 24 120 240

OPERATING CURRENT(MA)
DC 24=2380 120=425 240=214

CONSUMPTION(W)
DC 24=57.6 120=50 240=51

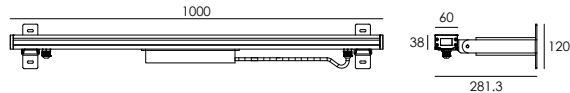
LUMINANCE(LM)
CW=4417 WW=3622

IK
05

(low voltage)

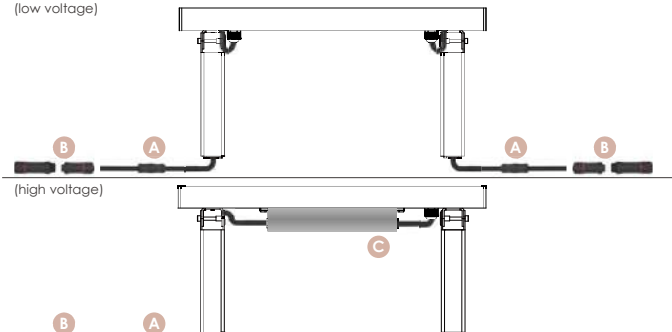


(high voltage)



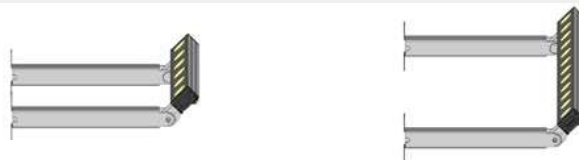
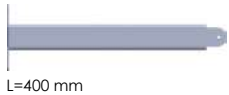
WATER PROOF SOLUTION

(low voltage)



- A Water-Stopper(Included)**
A IP-65 water-stopper is added in the end of luminaires as standard assembly which is also an important system for water resistance.
- B IP67 Jiffy quick plug/socket connector(Optional)**
A IP-67 connector is as an optional assembly and ensures that water vapor will not enter into luminaires directly.
- C High voltage driver IP65**

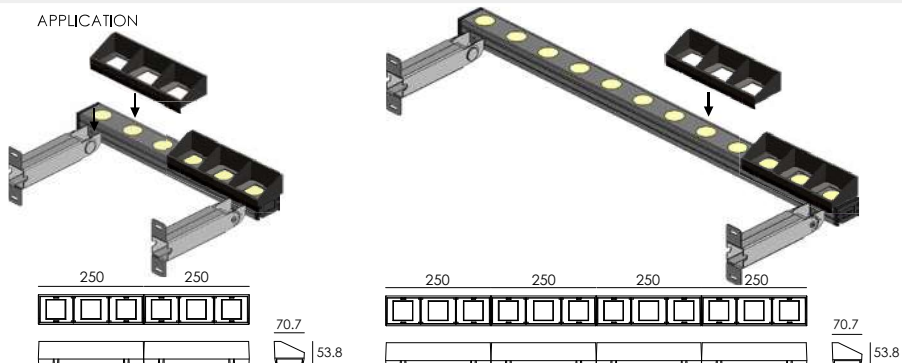
EXTERNAL BRACKET(Optional)



ANTI GLARE LOUVER(Optional)



APPLICATION



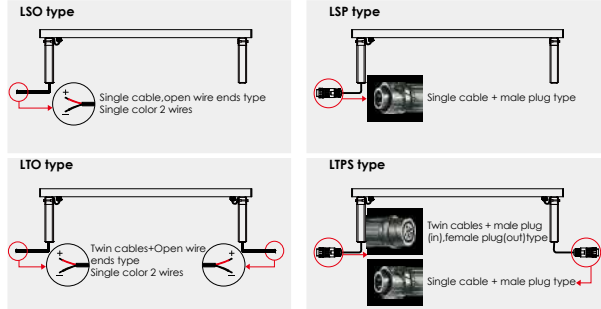
HOUSING Extruded aluminum
BRACKET Aluminum anodized finishing
LIGHT WINDOW Tempered glass.T=4mm
CABLE GLAND IP-68 PG-13.5 PA66
GASKET Glass and housing are silicone sealed
LENS OPTICS lens, efficiency≥85%
LED NICHIA SMD 3535
OPERATING TEMPERATURE -20°C~40°C
POWER CABLE Outside of luminaire
 H07RN-F 2×1.5mm², L=1.1m(12V/24V)
 H05RN-F 3×1.0mm², L=1.1m(120V/240V)
DIMMING SUPPORT Triac PWM Available
 1-10V Dali Customized

OPTICS Referenced Degree(°)θ1/2



CONNECTION

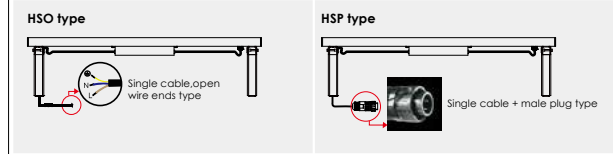
LOW VOLTAGE INPUT (24VDC) POWER CORD MODEL



Low voltage input default: Twin LTO type power cable, waterproof plugs are not included. (Other power cable type and plugs are optional)



HIGH VOLTAGE INPUT (100V-240V) POWER CORD WIRING MODEL



High voltage input default: Single HSO type power cable, waterproof plugs are not included. (Other power cable type and plugs are optional)



PHOTOMETRIC(Non anti glare louver)

