

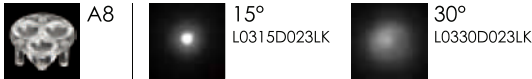
RECESSED SWIMMING  
POOL LIGHT



LED COLOUR TEMPERATURE

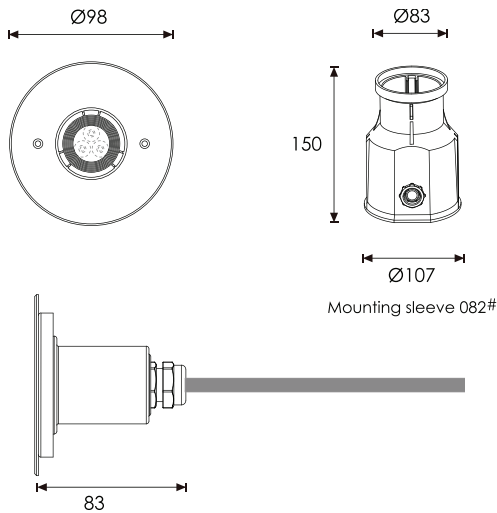
2000K · 3000K · 6000K

OPTICS



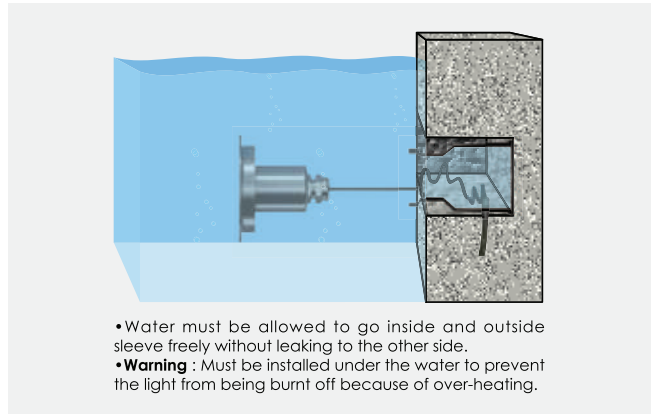
OUTER DIMENSIONS & ACCESSORIES

Unit:mm



MATERIAL SPECIFICATIONS

- FRONT COVER & HOUSING** | Hard chromeplated molding shaped SUS 316L# stainless steel housing
- GASKET** | EPDM gasket
- LIGHT WINDOW** | Step tempered glass, T=8mm
- LENS** | All-in-one optical lens, efficiency≥85%
- CABLE GLAND** | IP68 PG-11 copper with nickel-coated
- PCB** | Excellent heat conductivity aluminum, coefficient of heat conductivity≥2.0w/mk
- LED DRIVER** | Constant Voltage Input, Constant Current Output
- APPLICATION ENVIRONMENT** | Temperature of water between -20°C~40°C less than 1 meter depth
- POWER CABLE** | H07RN-F 2X1.0mm L=3m
- DIMMABLE SUPPORT** | Triac PWM 1-10V Dali



TECHNICAL DATA

ITEM	LIGHT SOURCE	LENS	LENS DEGREE(°)Ø1/2	INPUT VOLTAGE(V)	OPERATING CURRENT(MA)	CONSUMPTION(W)	LUMINANCE(LM)	IK
<b>A4AA0357</b>	3×2W Single color	A18	30°	24V DC	245	5.9	Cool White = 466 Warm White = 383	07

PHOTOMETRIC CURVES

