

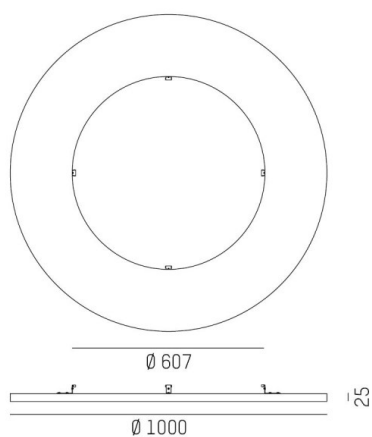
## BOARD

585-00629

BOARD ROUND BIDO Acoustic element made of recycled PET fibre acoustically effective, anthracite mottled, IP20 Bido Hängeleuchte separat ordern



## DRAWING



## TECHNICAL DETAILS

Designer	INHOUSE
Material	recycled PET fibre acoustically effective
Height [mm]	25
Diameter [mm]	1000
Troat [mm]	608
IP protection class	IP20
Net weight [kg]	1,66
Colour lamp	anthracite mottled
EAN-Number	9010870480728

## LIGHT DISTRIBUTION CURVE



The values are rated values. Power and luminous flux are initially subject to a tolerance of +/- 10%. Colour temperature tolerance: +/- 150 K. The values apply to an ambient temperature of 25°C unless otherwise specified.

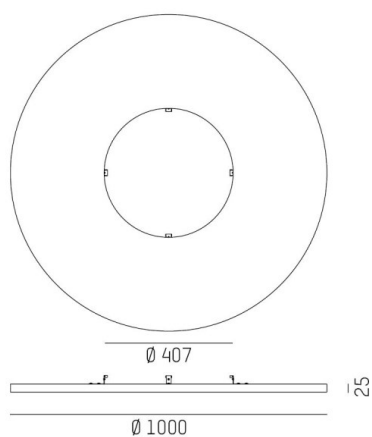
## BOARD

585-00529

BOARD ROUND BIDO Acoustic element made of recycled PET fibre acoustically effective, anthracite mottled, IP20 Bido Hängeleuchte separat ordern



## DRAWING



## TECHNICAL DETAILS

Designer	INHOUSE
Material	recycled PET fibre acoustically effective
Height [mm]	25
Diameter [mm]	1000
Troat [mm]	407
IP protection class	IP20
Net weight [kg]	2,06
Colour lamp	anthracite mottled
EAN-Number	9010870363885

## LIGHT DISTRIBUTION CURVE



The values are rated values. Power and luminous flux are initially subject to a tolerance of +/- 10%. Colour temperature tolerance: +/- 150 K. The values apply to an ambient temperature of 25°C unless otherwise specified.

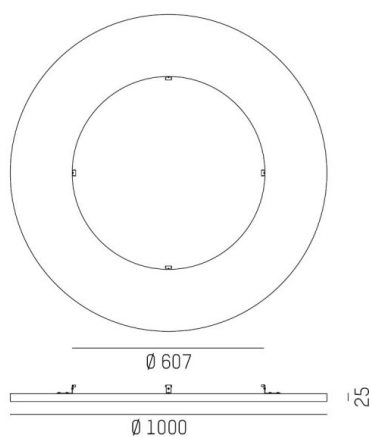
## BOARD

585-00605

BOARD ROUND BIDO Acoustic element made of recycled PET fibre acoustically effective, white mottled, IP20 Bido Hängeleuchte separat ordern



## DRAWING



## TECHNICAL DETAILS

Designer	INHOUSE
Material	recycled PET fibre acoustically effective
Height [mm]	25
Diameter [mm]	1000
Troat [mm]	608
IP protection class	IP20
Net weight [kg]	1,76
Colour lamp	white mottled
EAN-Number	9010870488458

## LIGHT DISTRIBUTION CURVE



The values are rated values. Power and luminous flux are initially subject to a tolerance of +/- 10%. Colour temperature tolerance: +/- 150 K. The values apply to an ambient temperature of 25°C unless otherwise specified.

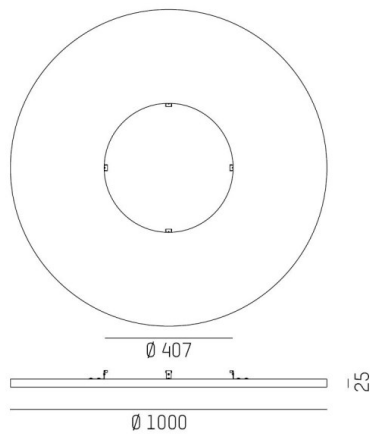
## BOARD

585-00505

BOARD ROUND BIDO Acoustic element made of recycled PET fibre acoustically effective, white mottled, IP20 Bido Hängeleuchte separat ordern



## DRAWING



## TECHNICAL DETAILS

Designer	INHOUSE
Material	recycled PET fibre acoustically effective
Height [mm]	25
Diameter [mm]	1000
Troat [mm]	407
IP protection class	IP20
Net weight [kg]	2,26
Colour lamp	white mottled
EAN-Number	9010870488434

## LIGHT DISTRIBUTION CURVE

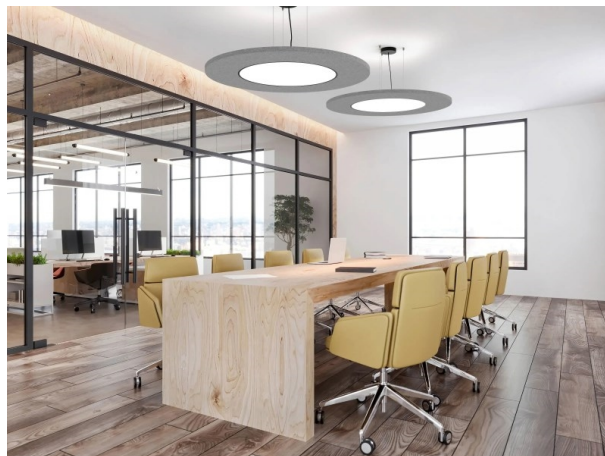


The values are rated values. Power and luminous flux are initially subject to a tolerance of +/- 10%. Colour temperature tolerance: +/- 150 K. The values apply to an ambient temperature of 25°C unless otherwise specified.

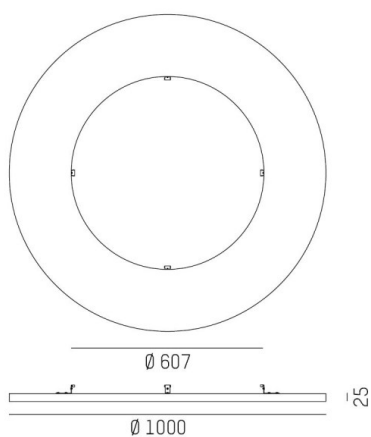
## BOARD

585-00604

BOARD ROUND BIDO Acoustic element made of recycled PET fibre acoustically effective, grey mottled, IP20 Bido Hängeleuchte separat ordern



## DRAWING



## TECHNICAL DETAILS

Designer	INHOUSE
Material	recycled PET fibre acoustically effective
Height [mm]	25
Diameter [mm]	1000
Troat [mm]	608
IP protection class	IP20
Net weight [kg]	1,66
Colour lamp	grey mottled
EAN-Number	9010870488441

## LIGHT DISTRIBUTION CURVE



The values are rated values. Power and luminous flux are initially subject to a tolerance of +/- 10%. Colour temperature tolerance: +/- 150 K. The values apply to an ambient temperature of 25°C unless otherwise specified.

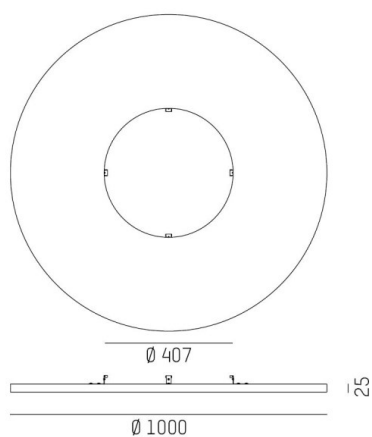
## BOARD

585-00504

BOARD ROUND BIDO Acoustic element made of recycled PET fibre acoustically effective, grey mottled, IP20 Bido Hängeleuchte separat ordern



## DRAWING



## TECHNICAL DETAILS

Designer	INHOUSE
Material	recycled PET fibre acoustically effective
Height [mm]	25
Diameter [mm]	1000
Troat [mm]	407
IP protection class	IP20
Net weight [kg]	2,06
Colour lamp	grey mottled
EAN-Number	9010870363526

## LIGHT DISTRIBUTION CURVE



The values are rated values. Power and luminous flux are initially subject to a tolerance of +/- 10%. Colour temperature tolerance: +/- 150 K. The values apply to an ambient temperature of 25°C unless otherwise specified.