



Standard Lumen Output (Beam angle options: 40°-60°-90°)

192 LED

CODE	MODULE POWER	LUMINAIRE POWER	MODULE LUMINOUS FLUX	LUMINAIRE LUMINOUS FLUX	COLOR TEMPERATURE
80-001-140-192-XX-X	127W	140W	21005lm - 22104lm	19745lm - 20777lm	3000K-4000K
80-001-175-192-XX-X	159W	175W	25037lm - 26346lm	23535lm - 24765lm	3000K-4000K
80-001-190-192-XX-X	173W	190W	26764lm - 28163lm	25158lm - 26473lm	3000K-4000K
80-001-230-192-XX-X	209W	230W	30888lm - 32503lm	29035lm - 30553lm	3000K-4000K

High Lumen Output (Beam angle options: 30°-60°-90°)

384 LED

CODE	MODULE POWER	LUMINAIRE POWER	MODULE LUMINOUS FLUX	LUMINAIRE LUMINOUS FLUX	COLOR TEMPERATURE
80-001-200-384-XX-X	182W	200W	34656lm - 35652lm	32820lm - 33762lm	3000K-4000K
80-001-300-384-XX-X	273W	300W	43368lm - 45552lm	41700lm - 43800lm	3000K-4000K

XX : Lens Angle, X : Led Color
Standard color temperature 4000K, also available with 6500K on request.

USED POWER SUPPLY BRANDS

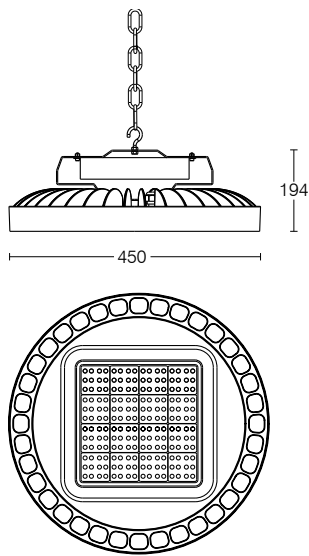


USED LED BRANDS

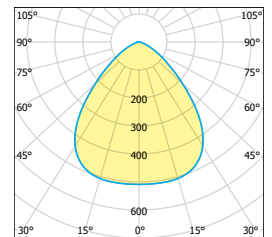
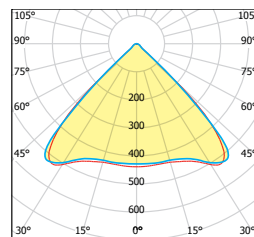
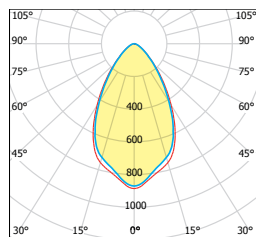
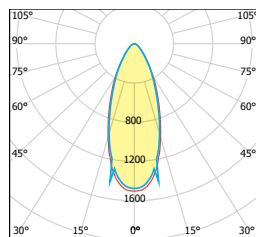
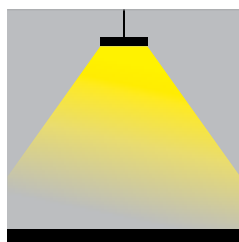


CIRCLE HIGHBAY

EN 60598 | IK09 | IP66 | CE



Photometric Curves



Technical Specifications

High-Bays made of aluminium die cast	DALI controllable (Optional)
Galvanized steel fittings	0-10V / 1-10V controllable (Optional)
Clear 5mm safety glass	Safety Class I
Silicon rubber gasket	Protection Class IP66
Mounting bracket made of steel	Impact strenght IK09
Electrostatic powder coating	Operation temperature -25°C / +55°C
Lens angle 22°-30°-40°-60°-90°	Wind catching area: 0,12m ²
Color standard MT-X6-23, optional RAL codes	Weight: 9kg
Input 100 -305V AC 50 / 60 Hz	EULUMDAT files available
Power factor (min.) 0.92	Complies with European standards
6kV surge protection	EN 60598 and CE certificate
Mono color (Standard)	

CCT tolerance within a 3 step MacAdams ellipse and LM80 compliant

Lifetime 50.000 working hours at least



Scan QR Code to get all technical documents and the other updated files for this product.

