

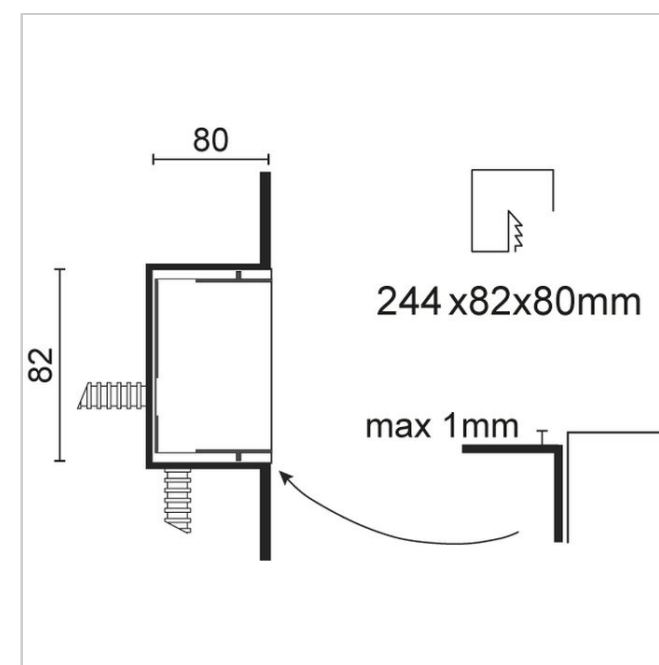
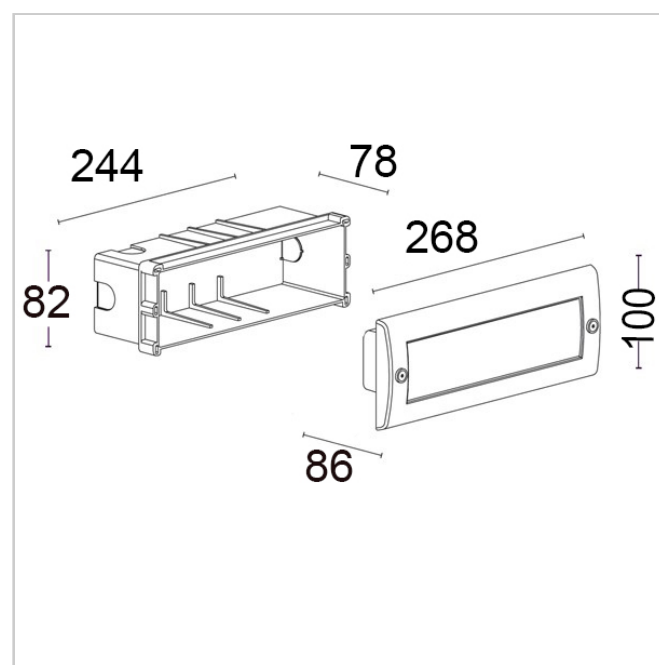
## Recta 9550R/NC3.VS

Wall Recessed - Recessed with smooth ring nut - Built-in driver

Rev. 31/10/2023



Recta is a product made with high quality materials which ensure maximum outdoor performance. Wall-mountable, Recta is designed to last over time and ensure optimal light propagation. Elegant and sophisticated, it will add style to your outdoor spaces. Dali dimmable on request with extra charge.



### FIXTURE SPECIFICATIONS

#### ASSEMBLY / USAGE

Wall recessed installation

#### PROTECTION

IP 65 - IK 05

#### BODY

Die-cast aluminium

#### BOX

Polypropylene (PP) 30% fiber UV Stabilized  
GWT750

#### FRAME

Die-cast aluminium

#### SCREEN

Frosted Glass

#### SEALS

Molded silicone gasket UV Resist

#### SCREWS

Stainless steel A2

#### PAINT / FINISHING

Anti-corrosive UV stabilised polyester powder

#### SIZES

H 100 x L 268 x W 87

#### NET WEIGHT

1,09 Kg

### ELECTRICAL SPECIFICATIONS

#### POWER SUPPLY

220-240Vac 50/60Hz

#### DRIVER

Built-in

#### DRIVER CURRENT

300mA

#### CONTROL

DALI available on request

#### SPECIFIC WIRING

Inclusa/Included

#### POWER MODULE LED

7W

#### ABSORBED POWER

9W

#### SOURCE

LED

#### SOURCE FLUX

1070 lm

#### FIXTURE SOURCE

360 lm

#### APPARENT EFFICIENCY

34 %

#### INSULATION CLASS

I

#### OVERVOLTAGE PROTECTION

2kV-2kV

#### OPERATING TA

50 °

#### ENERGETIC CLASS

A

#### CCT LED

4000K

#### CRI

80

#### STEP MACADAM

3

#### LIFE TIME TM-21

L80B10 50000h

#### PHOTOBIOLOGICAL RISK

RG0

#### OPTIK DISTRIBUTION

Frosted Diffuser

#### BEAM OPENING

Diffuse >100°

## COLORS

---



LED Plate 220-240Vac

## ACCESSORIES

---



**E.TRA.580** Ultra compact type 2+3 hard wired surge protector  
L 37 x W 30 x H 30

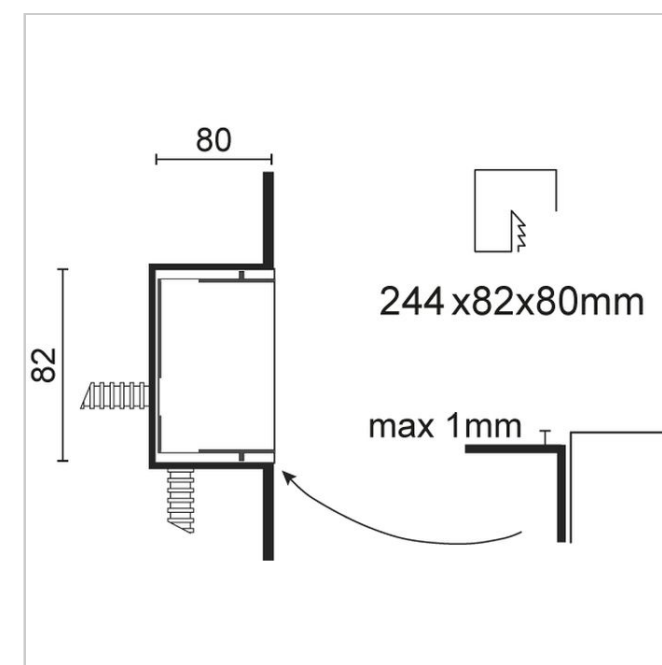
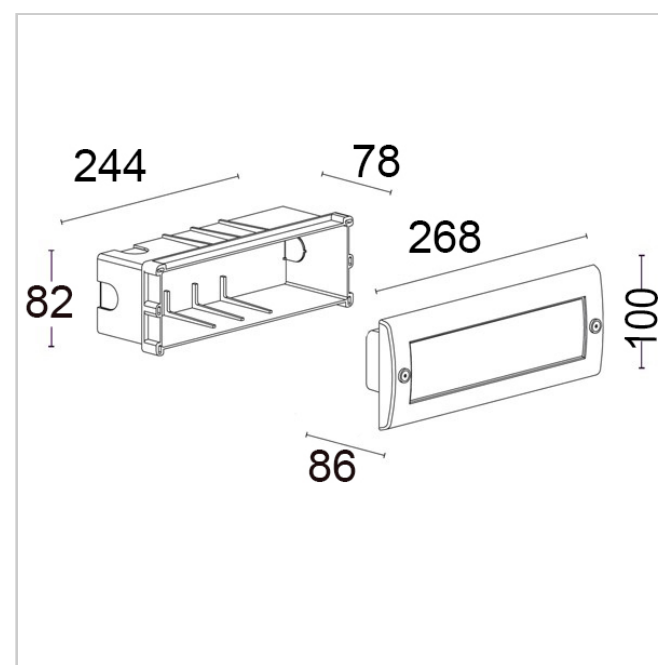
## Recta 9550R/WC3.VS

Wall Recessed - Recessed with smooth ring nut - Built-in driver

Rev. 31/10/2023



Recta is a product made with high quality materials which ensure maximum outdoor performance. Wall-mountable, Recta is designed to last over time and ensure optimal light propagation. Elegant and sophisticated, it will add style to your outdoor spaces. Dali dimmable on request with extra charge.



### FIXTURE SPECIFICATIONS

#### ASSEMBLY / USAGE

Wall recessed installation

#### PROTECTION

IP 65 - IK 05

#### BODY

Die-cast aluminium

#### BOX

Polypropylene (PP) 30% fiber UV Stabilized  
GWT750

#### FRAME

Die-cast aluminium

#### SCREEN

Frosted Glass

#### SEALS

Molded silicone gasket UV Resist

#### SCREWS

Stainless steel A2

#### PAINT / FINISHING

Anti-corrosive UV stabilised polyester powder

#### SIZES

H 100 x L 268 x W 87

#### NET WEIGHT

1,09 Kg

### ELECTRICAL SPECIFICATIONS

#### POWER SUPPLY

220-240Vac 50/60Hz

#### DRIVER

Built-in

#### DRIVER CURRENT

300mA

#### CONTROL

DALI available on request

#### SPECIFIC WIRING

Inclusa/Included

#### POWER MODULE LED

7W

#### ABSORBED POWER

9W

#### SOURCE

LED

#### SOURCE FLUX

1020 lm

#### FIXTURE SOURCE

345 lm

#### APPARENT EFFICIENCY

34 %

#### INSULATION CLASS

I

#### OVERVOLTAGE PROTECTION

2kV-2kV

#### OPERATING TA

50 °

#### ENERGETIC CLASS

A

#### CCT LED

3000K

#### CRI

80

#### STEP MACADAM

3

#### LIFE TIME TM-21

L80B10 50000h

#### PHOTOBIOLOGICAL RISK

RG0

#### OPTIK DISTRIBUTION

Frosted Diffuser

#### BEAM OPENING

Diffuse >100°

## COLORS

---



LED Plate 220-240Vac

## ACCESSORIES

---



**E.TRA.580** Ultra compact type 2+3 hard wired surge protector  
L 37 x W 30 x H 30

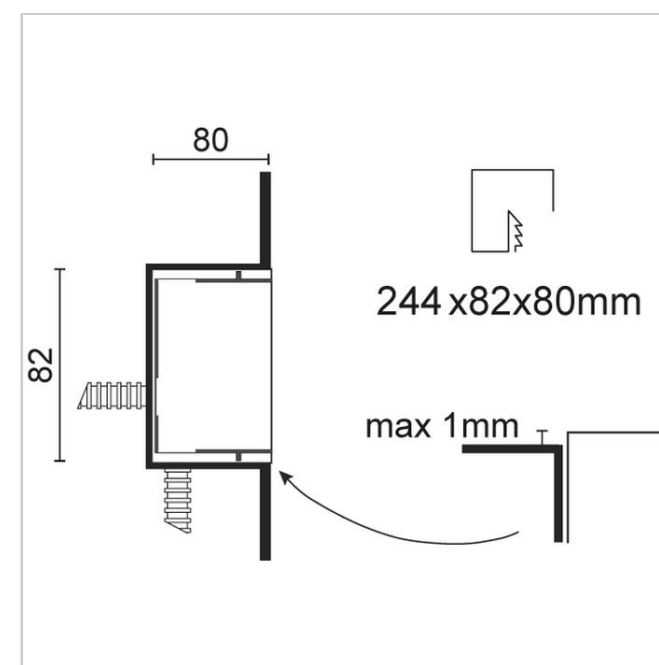
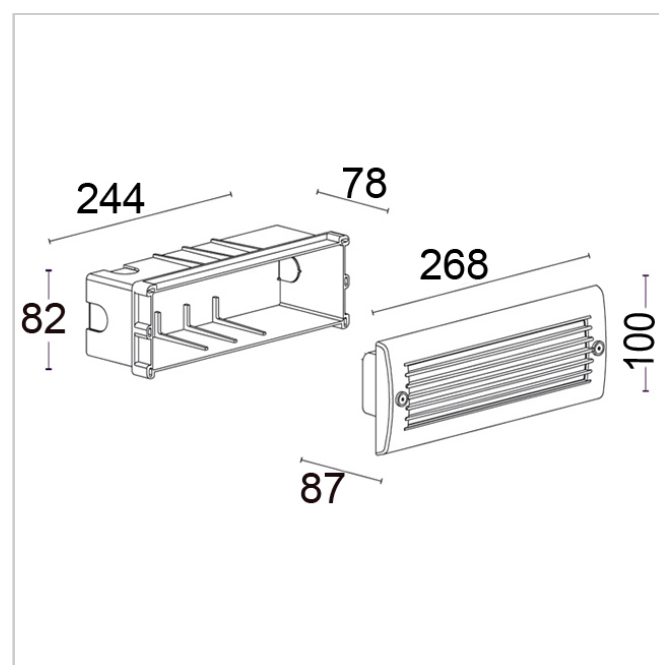
## Recta 9450R/WC3.VS

Wall Recessed - Recessed with linear grid - Built-in driver

Rev. 31/10/2023



Recta is a product made with high quality materials which ensure maximum outdoor performance. Wall-mountable, Recta is designed to last over time and ensure optimal light propagation. Elegant and sophisticated, it will add style to your outdoor spaces. Dali dimmable on request with extra charge.



### FIXTURE SPECIFICATIONS

#### ASSEMBLY / USAGE

Wall recessed installation

#### PROTECTION

IP 65 - IK 08

#### BODY

Die-cast aluminium

#### BOX

Polypropylene (PP) 30% fiber UV Stabilized  
GWT750

#### FRAME

Die-cast aluminium

#### SCREEN

Frosted Glass

#### SEALS

Molded silicone gasket UV Resist

#### SCREWS

Stainless steel A2

#### PAINT / FINISHING

Anti-corrosive UV stabilised polyester powder

#### SIZES

H 100 x L 268 x W 87

#### NET WEIGHT

1,09 Kg

### ELECTRICAL SPECIFICATIONS

#### POWER SUPPLY

220-240Vac 50/60Hz

#### DRIVER

Built-in

#### DRIVER CURRENT

300mA

#### CONTROL

DALI available on request

#### SPECIFIC WIRING

Inclusa/Included

#### POWER MODULE LED

7W

#### ABSORBED POWER

9W

#### SOURCE

LED

#### SOURCE FLUX

1020 lm

#### FIXTURE SOURCE

256 lm

#### APPARENT EFFICIENCY

25 %

#### INSULATION CLASS

I

#### OVERVOLTAGE PROTECTION

2kV-2kV

#### OPERATING TA

50 °

#### ENERGETIC CLASS

A

#### CCT LED

3000K

#### CRI

80

#### STEP MACADAM

3

#### LIFE TIME TM-21

L80B10 50000h

#### PHOTOBIOLOGICAL RISK

RG0

#### OPTIK DISTRIBUTION

Frosted Diffuser

#### BEAM OPENING

Shielded emission



## COLORS

---



LED Plate 220-240Vac

## ACCESSORIES

---



**E.TRA.580** Ultra compact type 2+3 hard wired surge protector  
L 37 x W 30 x H 30

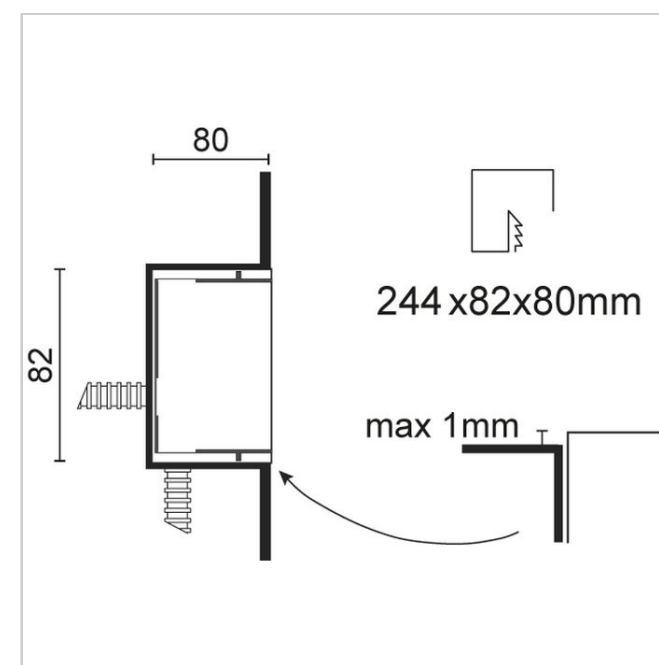
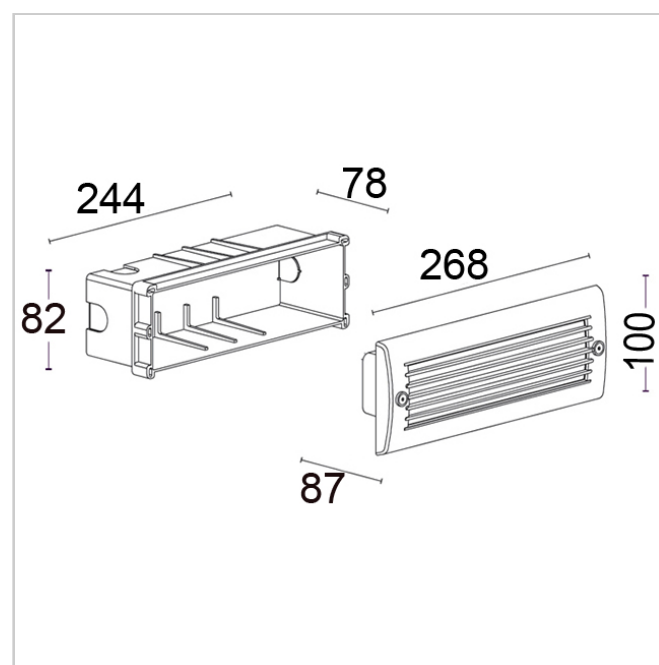
## Recta 9450R/NC3.VS

Wall Recessed - Recessed with linear grid - Built-in driver

Rev. 31/10/2023



Recta is a product made with high quality materials which ensure maximum outdoor performance. Wall-mountable, Recta is designed to last over time and ensure optimal light propagation. Elegant and sophisticated, it will add style to your outdoor spaces. Dali dimmable on request with extra charge.



### FIXTURE SPECIFICATIONS

#### ASSEMBLY / USAGE

Wall recessed installation

#### PROTECTION

IP 65 - IK 08

#### BODY

Die-cast aluminium

#### BOX

Polypropylene (PP) 30% fiber UV Stabilized  
GWT750

#### FRAME

Die-cast aluminium

#### SCREEN

Frosted Glass

#### SEALS

Molded silicone gasket UV Resist

#### SCREWS

Stainless steel A2

#### PAINT / FINISHING

Anti-corrosive UV stabilised polyester powder

#### SIZES

H 100 x L 268 x W 87

#### NET WEIGHT

1,09 Kg

### ELECTRICAL SPECIFICATIONS

#### POWER SUPPLY

220-240Vac 50/60Hz

#### DRIVER

Built-in

#### DRIVER CURRENT

300mA

#### CONTROL

DALI available on request

#### SPECIFIC WIRING

Inclusa/Included

#### POWER MODULE LED

7W

#### ABSORBED POWER

9W

#### SOURCE

LED

#### SOURCE FLUX

1070 lm

#### FIXTURE SOURCE

280 lm

#### APPARENT EFFICIENCY

26 %

#### INSULATION CLASS

I

#### OVERVOLTAGE PROTECTION

2kV-2kV

#### OPERATING TA

50 °

#### ENERGETIC CLASS

A

#### CCT LED

4000K

#### CRI

80

#### STEP MACADAM

3

#### LIFE TIME TM-21

L80B10 50000h

#### PHOTOBIOLOGICAL RISK

RG0

#### OPTIK DISTRIBUTION

Frosted Diffuser

#### BEAM OPENING

Shielded emission

## COLORS

---



LED Plate 220-240Vac

## ACCESSORIES

---



**E.TRA.580** Ultra compact type 2+3 hard wired surge protector  
L 37 x W 30 x H 30