

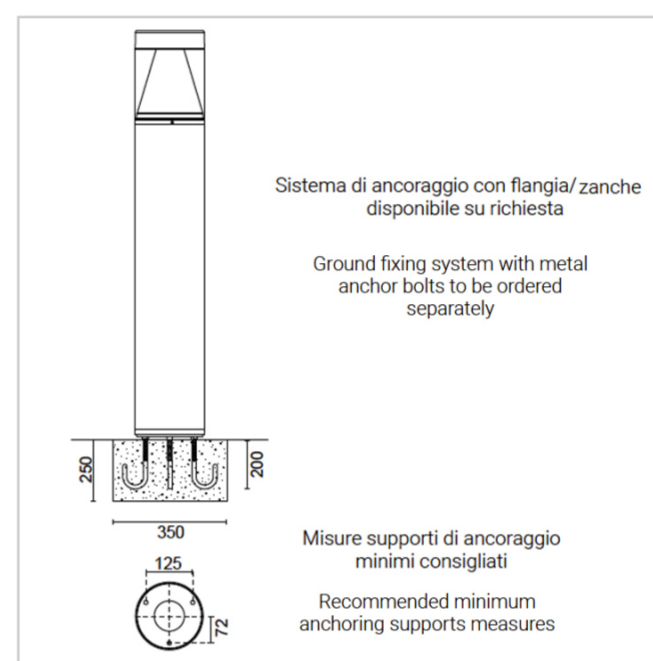
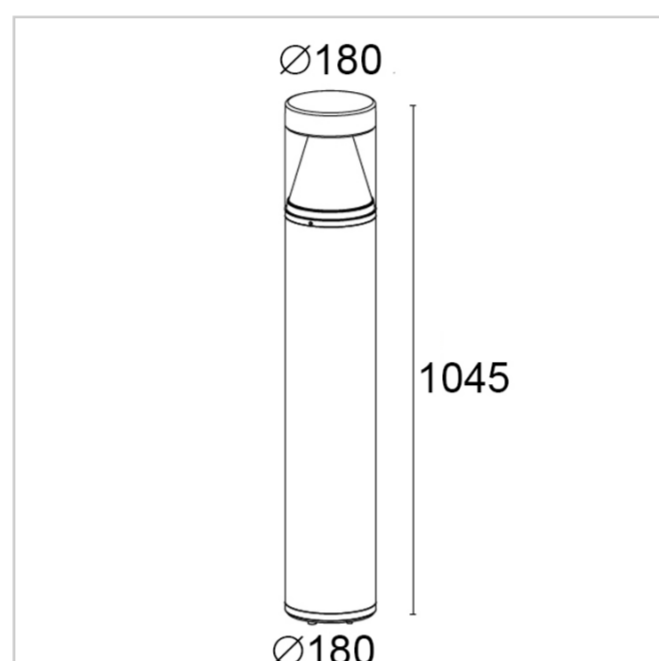
Siluretto 092-325-ND10

Small Poles - Bollard DALI without base for underground installation

Rev. 23/04/2024



Siluretto is designed specifically for the residential lighting of paths, gardens, avenues, all in respect of the Regulations on Light Pollution, through the use of 360° radial optics that guarantee an emission mainly directed towards the ground. The lamp body is firmly connected to the pole by means of a bayonet coupling which makes it easily removable during normal maintenance operations. The equipment includes the use of LED sources, power supply with driver incorporated with fixed or Dali dimmable output on request with extra charge.



FIXTURE SPECIFICATIONS

ASSEMBLY / USAGE

Ground installation

PROTECTION

IP 65 - IK 08

BODY

Pole: Extruded aluminium alloy - Body/Base:
Die-cast aluminium alloy

SCREEN

Transparent Polycarbonate

SEALS

Closed-cell EPDM rubber

SCREWS

Stainless steel A2

PAINT / FINISHING

Anti-corrosive UV stabilised polyester powder

SIZES

H 1045 x Ø 180

ELECTRICAL SPECIFICATIONS

POWER SUPPLY

220-240Vac 50/60Hz

DRIVER

Built-in

DRIVER CURRENT

650mA

CONTROL

DALI-2 integrated

SPECIFIC WIRING

Inclusa/Included

WIRING

Included

POWER MODULE LED

24W

ABSORBED POWER

26W

SOURCE

LED

SOURCE FLUX

4080 lm

FIXTURE SOURCE

2110 lm

APPARENT EFFICIENCY

52 %

INSULATION CLASS

I

OVERVOLTAGE PROTECTION

2kV-3kV

OPERATING TA

50 °

ENERGETIC CLASS

A

CCT LED

4000K

CRI

>80

STEP MACADAM

3

LIFE TIME TM-21

L80B10 50000h

PHOTOBIOLOGICAL RISK

RG0







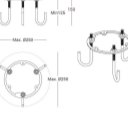
BEAM OPENING

Diffuse 360°

COLORS



ACCESSORIES

	E.CAV.538.020 Cable H05BQ-F 5x1 L 2 mt
	E.CAV.538.100 Cable H05BQ-F 5x1 L 10 mt
	MOR685P/3V Connector Y, IP68 3Ways/5Poles. Maximum section 5x2.5mm ² L 147 x W 73 x H 33
	E.CAV.538.050 Cable H05BQ-F 5x1 L 5 mt
	MOR685P/2V Connector IP68 2Ways/5Poles. Maximum section 5x4mm ² L 115 x Ø 34
	E.TRA.580 Ultra compact type 2+3 hard wired surge protector. CLI - IP67. Disconnection signaling by indicator. AC disconnection in case of end of life. L 37 x W 30 x H 30
	KIT.010 Ground anchoring system with anchor bolts and centring plate

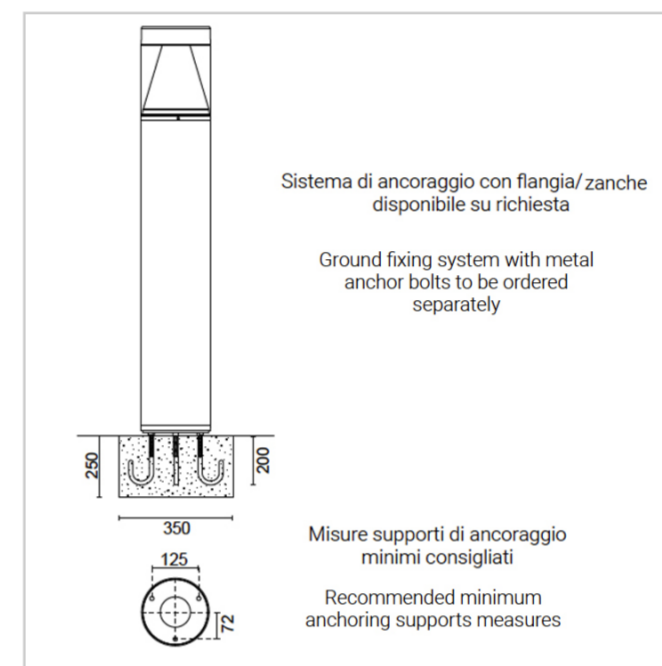
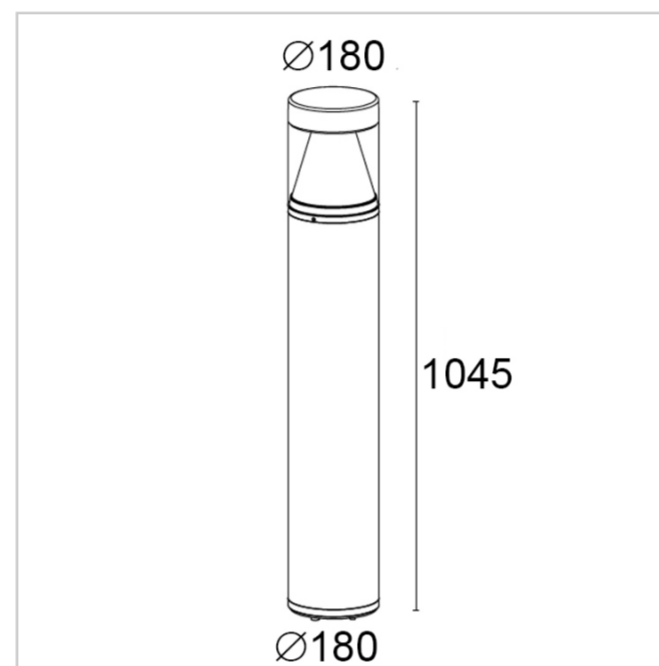
Siluretto 092-325-WD10

Small Poles - Bollard DALI without base for underground installation

Rev. 23/04/2024



Siluretto is designed specifically for the residential lighting of paths, gardens, avenues, all in respect of the Regulations on Light Pollution, through the use of 360° radial optics that guarantee an emission mainly directed towards the ground. The lamp body is firmly connected to the pole by means of a bayonet coupling which makes it easily removable during normal maintenance operations. The equipment includes the use of LED sources, power supply with driver incorporated with fixed or Dali dimmable output on request with extra charge.



FIXTURE SPECIFICATIONS

ASSEMBLY / USAGE

Ground installation

PROTECTION

IP 65 - IK 08

BODY

Pole: Extruded aluminium alloy - Body/Base: Die-cast aluminium alloy

SCREEN

Transparent Polycarbonate

SEALS

Closed-cell EPDM rubber

SCREWS

Stainless steel A2

PAINT / FINISHING

Anti-corrosive UV stabilised polyester powder

SIZES

H 1045 x Ø 180

ELECTRICAL SPECIFICATIONS

POWER SUPPLY

220-240Vac 50/60Hz

DRIVER

Built-in

DRIVER CURRENT

650mA

CONTROL

DALI-2 integrated

SPECIFIC WIRING

Inclusa/Included

WIRING

Included

POWER MODULE LED

24W

ABSORBED POWER

26W

SOURCE

LED

SOURCE FLUX

3840 lm

FIXTURE SOURCE

2020 lm

APPARENT EFFICIENCY

53 %

INSULATION CLASS

I

OVERVOLTAGE PROTECTION

2kV-3kV

OPERATING TA

50 °

ENERGETIC CLASS

A

CCT LED

3000K

CRI

>80

STEP MACADAM

3

LIFE TIME TM-21

L80B10 50000h

PHOTOBIOLOGICAL RISK

RG0







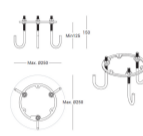
BEAM OPENING

Diffuse 360°

COLORS



ACCESSORIES

 E.CAV.538.020 Cable H05BQ-F 5x1 L 2 mt	 E.CAV.538.050 Cable H05BQ-F 5x1 L 5 mt
 E.CAV.538.100 Cable H05BQ-F 5x1 L 10 mt	 MOR685P/2V Connector IP68 2Ways/5Poles. Maximum section 5x4mm ² L 115 x Ø 34
 MOR685P/3V Connector Y, IP68 3Ways/5Poles. Maximum section 5x2.5mm ² L 147 x W 73 x H 33	 E.TRA.580 Ultra compact type 2+3 hard wired surge protector. CLI - IP67. Disconnection signaling by indicator. AC disconnection in case of end of life. L 37 x W 30 x H 30
 KIT.010 Ground anchoring system with anchor bolts and centring plate	

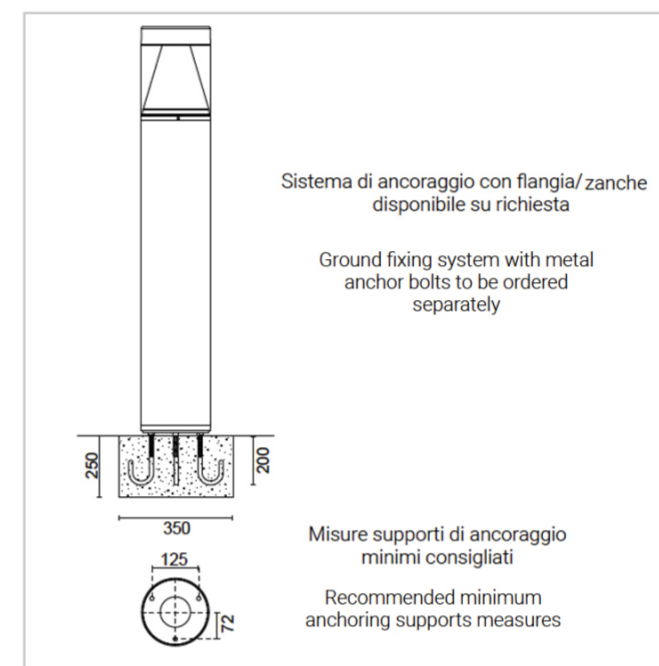
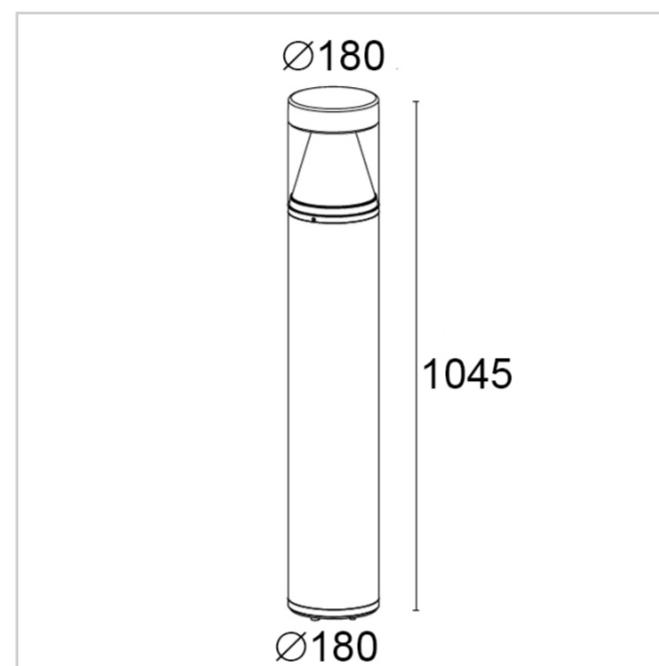
Siluretto 092-325-HD10

Small Poles - Bollard DALI without base for underground installation

Rev. 23/04/2024



Siluretto is designed specifically for the residential lighting of paths, gardens, avenues, all in respect of the Regulations on Light Pollution, through the use of 360° radial optics that guarantee an emission mainly directed towards the ground. The lamp body is firmly connected to the pole by means of a bayonet coupling which makes it easily removable during normal maintenance operations. The equipment includes the use of LED sources, power supply with driver incorporated with fixed or Dali dimmable output on request with extra charge.



FIXTURE SPECIFICATIONS

ASSEMBLY / USAGE

Ground installation

PROTECTION

IP 65 - IK 08

BODY

Pole: Extruded aluminium alloy - Body/Base: Die-cast aluminium alloy

SCREEN

Transparent Polycarbonate

SEALS

Closed-cell EPDM rubber

SCREWS

Stainless steel A2

PAINT / FINISHING

Anti-corrosive UV stabilised polyester powder

SIZES

H 1045 x Ø 180

ELECTRICAL SPECIFICATIONS

POWER SUPPLY

220-240Vac 50/60Hz

DRIVER

Built-in

DRIVER CURRENT

650mA

CONTROL

DALI-2 integrated

SPECIFIC WIRING

Inclusa/Included

WIRING

Included

POWER MODULE LED

24W

ABSORBED POWER

26W

SOURCE

LED

SOURCE FLUX

3648 lm

FIXTURE SOURCE

1919 lm

APPARENT EFFICIENCY

53 %

INSULATION CLASS

I

OVERVOLTAGE PROTECTION

2kV-3kV

OPERATING TA

50 °

ENERGETIC CLASS

A

CCT LED

2700K

CRI

>80

STEP MACADAM

3

LIFE TIME TM-21

L80B10 50000h

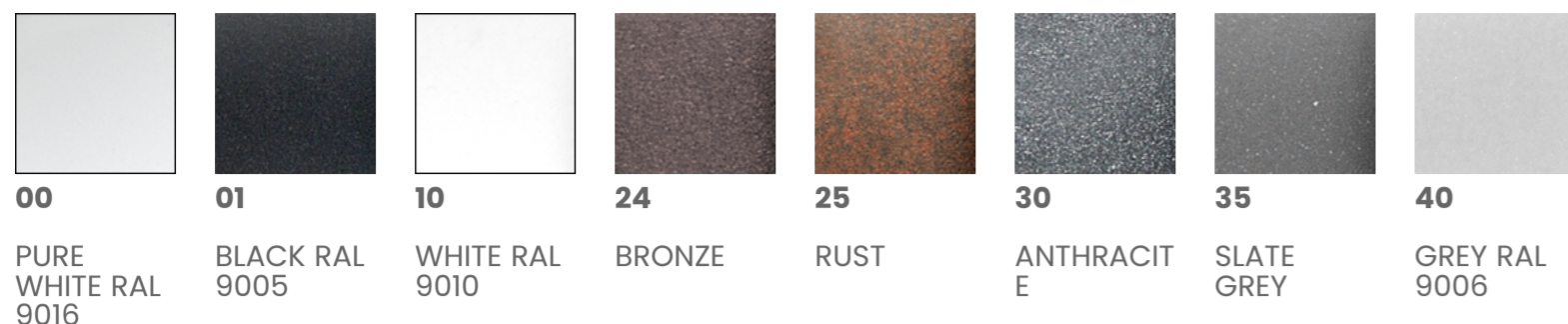
PHOTOBIOLOGICAL RISK

RG0







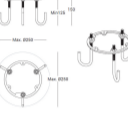
BEAM OPENING

Diffuse 360°

COLORS



ACCESSORIES

	E.CAV.538.020 Cable H05BQ-F 5x1 L 2 mt
	E.CAV.538.100 Cable H05BQ-F 5x1 L 10 mt
	MOR685P/3V Connector Y, IP68 3Ways/5Poles. Maximum section 5x2.5mm ² L 147 x W 73 x H 33
	E.CAV.538.050 Cable H05BQ-F 5x1 L 5 mt
	MOR685P/2V Connector IP68 2Ways/5Poles. Maximum section 5x4mm ² L 115 x Ø 34
	E.TRA.580 Ultra compact type 2+3 hard wired surge protector. CLI - IP67. Disconnection signaling by indicator. AC disconnection in case of end of life. L 37 x W 30 x H 30
	KIT.010 Ground anchoring system with anchor bolts and centring plate

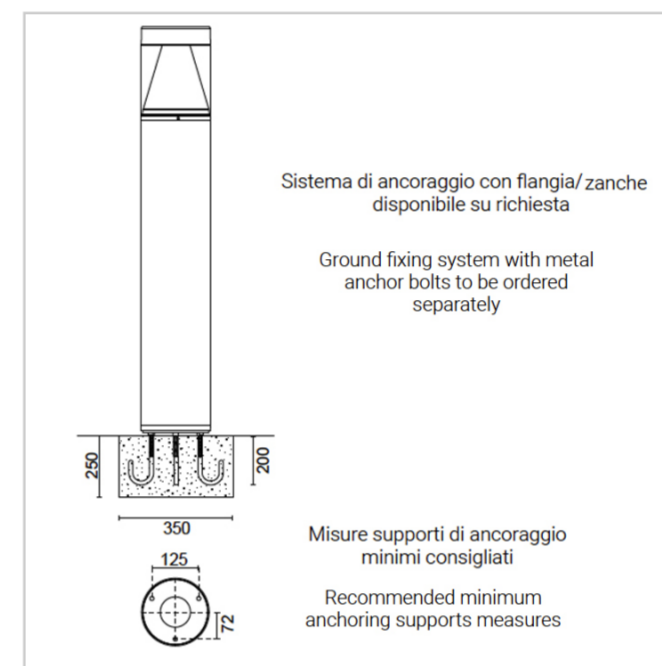
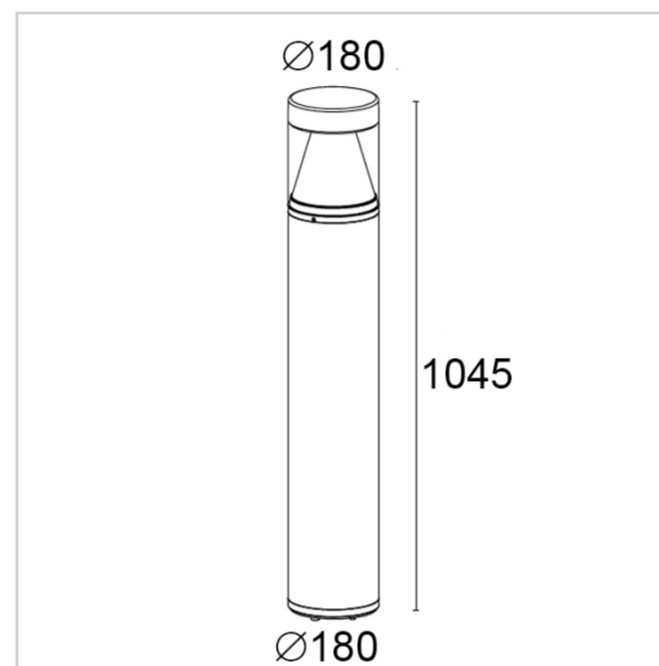
Siluretto 092-325-NR10

Small Poles - Bollard without base for underground installation

Rev. 23/04/2024



Siluretto is designed specifically for the residential lighting of paths, gardens, avenues, all in respect of the Regulations on Light Pollution, through the use of 360° radial optics that guarantee an emission mainly directed towards the ground. The lamp body is firmly connected to the pole by means of a bayonet coupling which makes it easily removable during normal maintenance operations. The equipment includes the use of LED sources, power supply with driver incorporated with fixed or Dali dimmable output on request with extra charge.



FIXTURE SPECIFICATIONS

ASSEMBLY / USAGE

Ground installation

PROTECTION

IP 65 - IK 08

BODY

Pole: Extruded aluminium alloy - Body/Base: Die-cast aluminium alloy

SCREEN

Transparent Polycarbonate

SEALS

Closed-cell EPDM rubber

SCREWS

Stainless steel A2

PAINT / FINISHING

Anti-corrosive UV stabilised polyester powder

SIZES

H 1045 x Ø 180

ELECTRICAL SPECIFICATIONS

POWER SUPPLY

220-240Vac 50/60Hz

DRIVER

Built-in

DRIVER CURRENT

650mA

CONTROL

ON/OFF

SPECIFIC WIRING

Inclusa/Included

WIRING

Included

POWER MODULE LED

24W

ABSORBED POWER

26W

SOURCE

LED

SOURCE FLUX

4080 lm

FIXTURE SOURCE

2110 lm

APPARENT EFFICIENCY

52 %

INSULATION CLASS

I

OVERVOLTAGE PROTECTION

2kV-3kV

OPERATING TA

50 °

ENERGETIC CLASS

A

CCT LED

4000K

CRI

>80

STEP MACADAM

3

LIFE TIME TM-21

L80B10 50000h

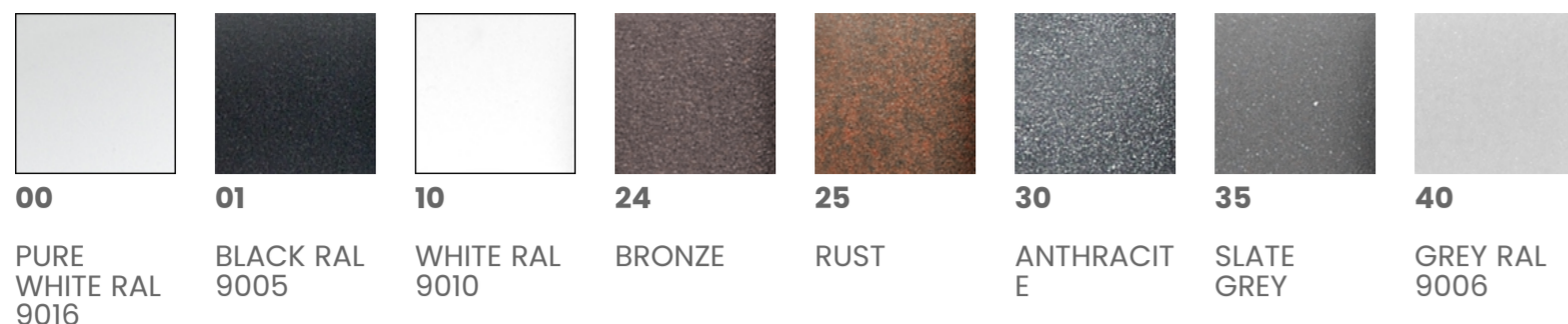
PHOTOBIOLOGICAL RISK

RG0

BEAM OPENING

Diffuse 360°

COLORS

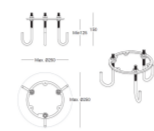


ACCESSORIES



MOR683P/2V Connector IP68 2Way/3Poles. Maximum section 3x2.5mm²

L 82 x Ø 28



KIT.010 Ground anchoring system with anchor bolts and centring plate



MOR685P/3V Connector Y, IP68 3Ways/5Poles. Maximum section 5x2.5mm²

L 147 x W 73 x H 33



E.TRA.580 Ultra compact type 2+3 hard wired surge protector. CLI - IP67. Disconnection signaling by indicator. AC disconnection in case of end of life.

L 37 x W 30 x H 30

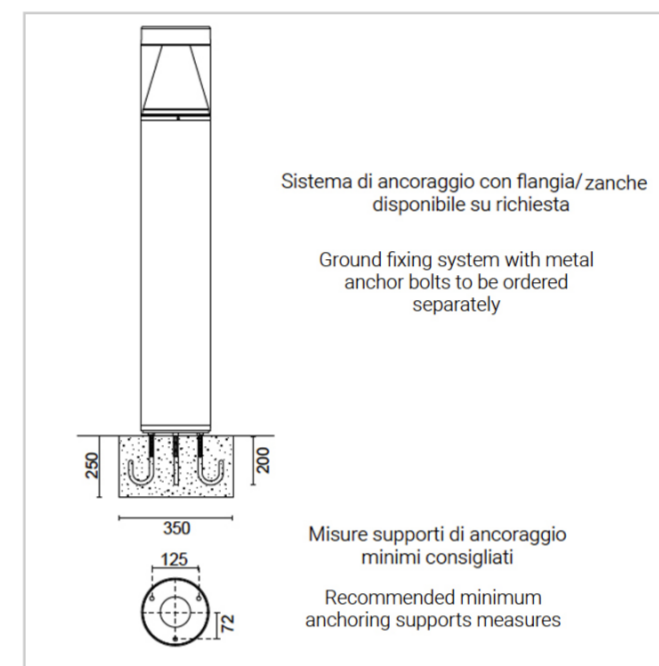
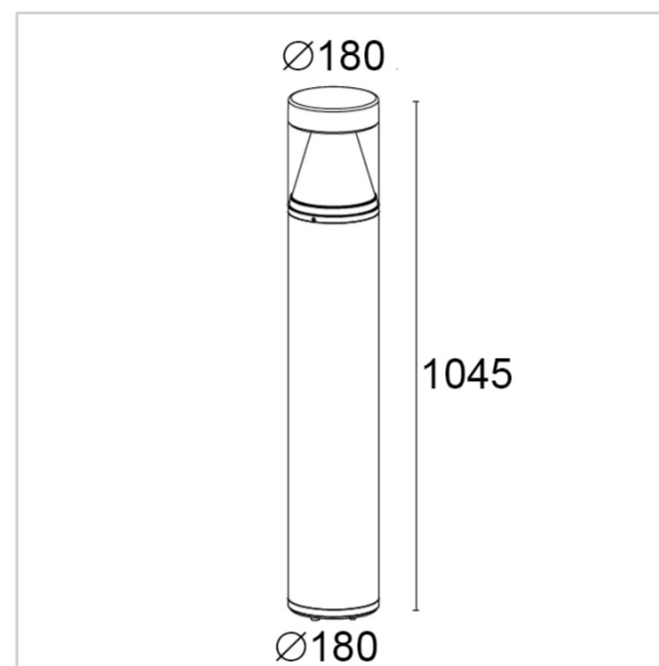
Siluretto 092-325-WR10

Small Poles - Bollard without base for underground installation

Rev. 23/04/2024



Siluretto is designed specifically for the residential lighting of paths, gardens, avenues, all in respect of the Regulations on Light Pollution, through the use of 360° radial optics that guarantee an emission mainly directed towards the ground. The lamp body is firmly connected to the pole by means of a bayonet coupling which makes it easily removable during normal maintenance operations. The equipment includes the use of LED sources, power supply with driver incorporated with fixed or Dali dimmable output on request with extra charge.



FIXTURE SPECIFICATIONS

ASSEMBLY / USAGE

Ground installation

PROTECTION

IP 65 - IK 08

BODY

Pole: Extruded aluminium alloy - Body/Base: Die-cast aluminium alloy

SCREEN

Transparent Polycarbonate

SEALS

Closed-cell EPDM rubber

SCREWS

Stainless steel A2

PAINT / FINISHING

Anti-corrosive UV stabilised polyester powder

SIZES

H 1045 x Ø 180

ELECTRICAL SPECIFICATIONS

POWER SUPPLY

220-240Vac 50/60Hz

DRIVER

Built-in

DRIVER CURRENT

650mA

CONTROL

ON/OFF

SPECIFIC WIRING

Inclusa/Included

WIRING

Included

POWER MODULE LED

24W

ABSORBED POWER

26W

SOURCE

LED

SOURCE FLUX

3840 lm

FIXTURE SOURCE

2020 lm

APPARENT EFFICIENCY

53 %

INSULATION CLASS

I

OVERVOLTAGE PROTECTION

2kV-3kV

OPERATING TA

50 °

ENERGETIC CLASS

A

CCT LED

3000K

CRI

>80

STEP MACADAM

3

LIFE TIME TM-21

L80B10 50000h

PHOTOBIOLOGICAL RISK

RG0

BEAM OPENING

Diffuse 360°

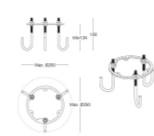
COLORS



ACCESSORIES



MOR683P/2V Connector IP68 2Way/3Poles. Maximum section 3x2.5mm²
L 82 x Ø 28



KIT.010 Ground anchoring system with anchor bolts and centring plate



MOR685P/3V Connector Y, IP68 3Ways/5Poles. Maximum section 5x2.5mm²
L 147 x W 73 x H 33



E.TRA.580 Ultra compact type 2+3 hard wired surge protector. CLI - IP67. Disconnection signaling by indicator. AC disconnection in case of end of life.
L 37 x W 30 x H 30

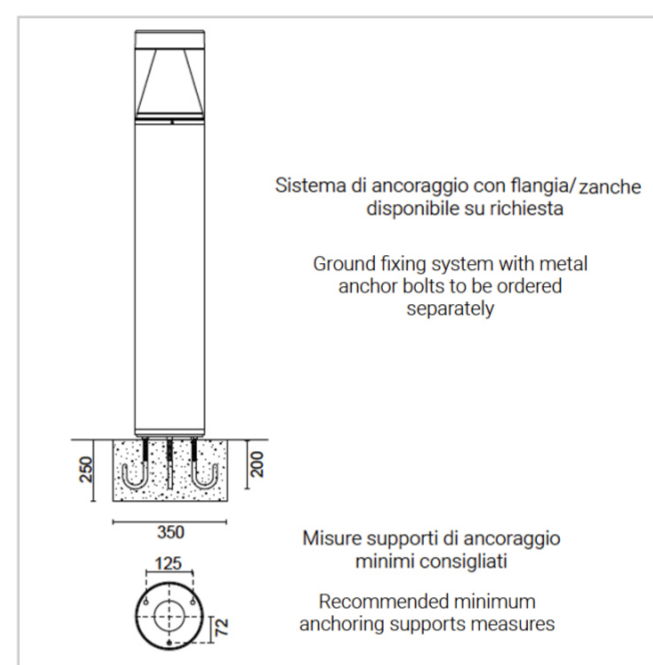
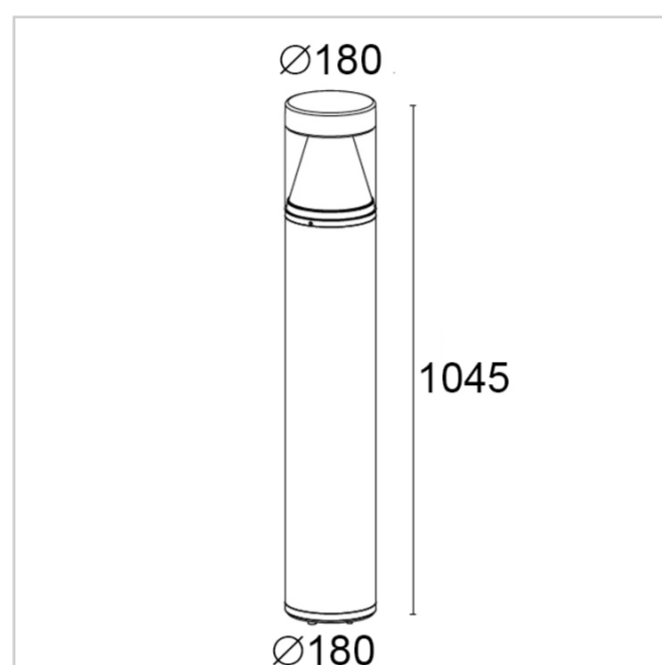
Siluretto 092-325-HR10

Small Poles - Bollard without base for underground installation

Rev. 23/04/2024



Siluretto is designed specifically for the residential lighting of paths, gardens, avenues, all in respect of the Regulations on Light Pollution, through the use of 360° radial optics that guarantee an emission mainly directed towards the ground. The lamp body is firmly connected to the pole by means of a bayonet coupling which makes it easily removable during normal maintenance operations. The equipment includes the use of LED sources, power supply with driver incorporated with fixed or Dali dimmable output on request with extra charge.



FIXTURE SPECIFICATIONS

ASSEMBLY / USAGE

Ground installation

PROTECTION

IP 65 - IK 08

BODY

Pole: Extruded aluminium alloy - Body/Base: Die-cast aluminium alloy

SCREEN

Transparent Polycarbonate

SEALS

Closed-cell EPDM rubber

SCREWS

Stainless steel A2

PAINT / FINISHING

Anti-corrosive UV stabilised polyester powder

SIZES

H 1045 x Ø 180

ELECTRICAL SPECIFICATIONS

POWER SUPPLY

220-240Vac 50/60Hz

DRIVER

Built-in

DRIVER CURRENT

650mA

CONTROL

ON/OFF

SPECIFIC WIRING

Inclusa/Included

WIRING

Included

POWER MODULE LED

24W

ABSORBED POWER

26W

SOURCE

LED

SOURCE FLUX

3648 lm

FIXTURE SOURCE

1919 lm

APPARENT EFFICIENCY

53 %

INSULATION CLASS

I

OVERVOLTAGE PROTECTION

2kV-3kV

OPERATING TA

50 °

ENERGETIC CLASS

A

CCT LED

2700K

CRI

>80

STEP MACADAM

3

LIFE TIME TM-21

L80B10 50000h

PHOTOBIOLOGICAL RISK

RG0

BEAM OPENING

Diffuse 360°

COLORS

2024 © Augenti Lighting Srl - Via Francesco Lana 31, Lumezzane (BS) - Tel. (+39) 030 7282524 - info@augentilighting.it - www.augentilighting.it





MOR685P/3V Connector Y, IP68 3Ways/5Poles.
Maximum section 5x2.5mm²
L 147 x W 73 x H 33



E.TRA.580 Ultra compact type 2+3 hard wired surge protector. CLI - IP67. Disconnection signaling by indicator. AC disconnection in case of end of life.
L 37 x W 30 x H 30