

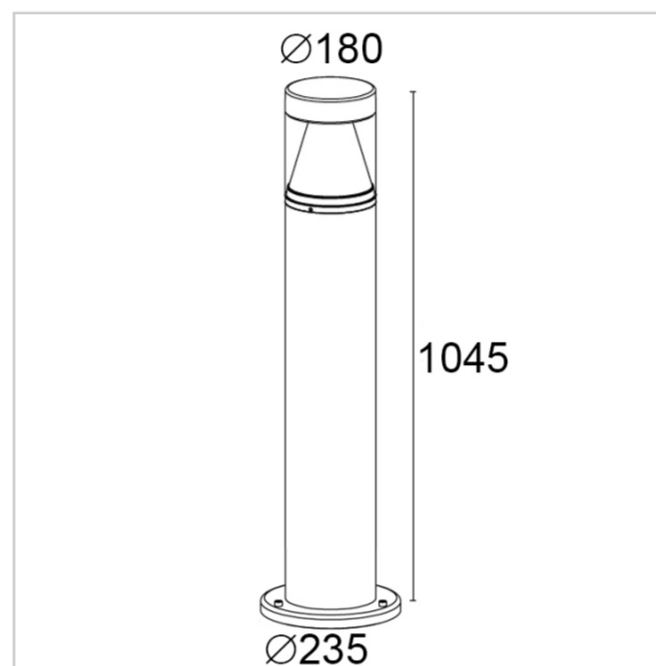
## Siluretto 092-335-ND10

Small Poles - Bollard DALI with base for above ground installation

Rev. 23/04/2024



Siluretto is designed specifically for the residential lighting of paths, gardens, avenues, all in respect of the Regulations on Light Pollution, through the use of 360° radial optics that guarantee an emission mainly directed towards the ground. The lamp body is firmly connected to the pole by means of a bayonet coupling which makes it easily removable during normal maintenance operations. The equipment includes the use of LED sources, power supply with driver incorporated with fixed or Dali dimmable output on request with extra charge.



### FIXTURE SPECIFICATIONS

#### ASSEMBLY / USAGE

Ground installation

#### PROTECTION

IP 65 - IK 08

#### BODY

Pole: Extruded aluminium alloy - Body/Base: Die-cast aluminium alloy

#### SCREEN

Transparent Polycarbonate

#### SEALS

Closed-cell EPDM rubber

#### SCREWS

Stainless steel A2

#### PAINT / FINISHING

Anti-corrosive UV stabilised polyester powder

#### SIZES

H 1045 x Ø 180

### ELECTRICAL SPECIFICATIONS

#### POWER SUPPLY

220-240Vac 50/60Hz

#### DRIVER

Built-in

#### DRIVER CURRENT

650mA

#### CONTROL

DALI-2 integrated

#### SPECIFIC WIRING

Inclusa/Included

#### WIRING

Included

#### POWER MODULE LED

24W

#### ABSORBED POWER

26W

#### SOURCE

LED

#### SOURCE FLUX

4080 lm

#### FIXTURE SOURCE

2110 lm

#### APPARENT EFFICIENCY

52 %

#### INSULATION CLASS

I

#### OVERVOLTAGE PROTECTION

2kV-3kV

#### OPERATING TA

50 °

#### ENERGETIC CLASS

A

#### CCT LED

4000K

#### CRI

>80

#### STEP MACADAM

3

#### LIFE TIME TM-21

L80B10 50000h

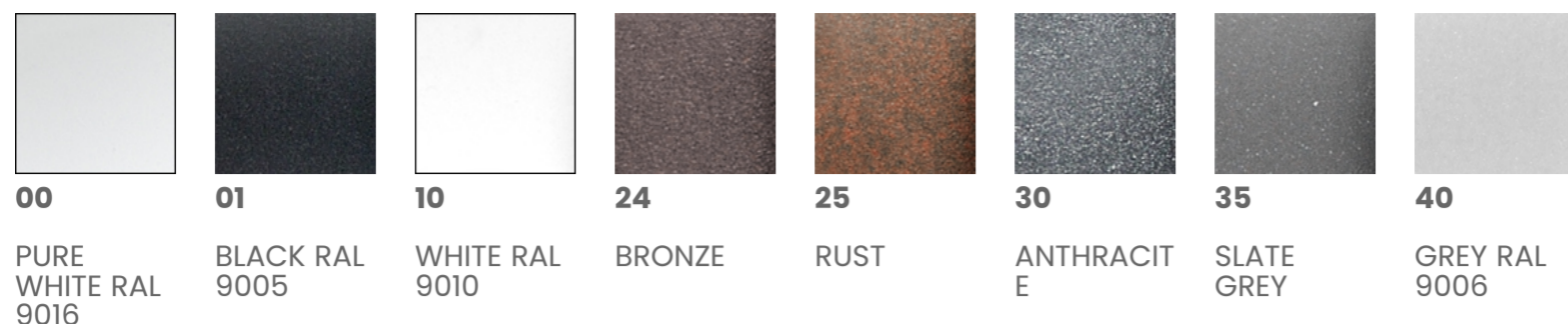
#### PHOTOBIOLOGICAL RISK

RG0







#### BEAM OPENING

Diffuse 360°

## COLORS



## ACCESSORIES

 <b>E.CAV.538.020</b> Cable H05BQ-F 5x1 L 2 mt	 <b>E.CAV.538.050</b> Cable H05BQ-F 5x1 L 5 mt
 <b>E.CAV.538.100</b> Cable H05BQ-F 5x1 L 10 mt	 <b>MOR685P/2V</b> Connector IP68 2Ways/5Poles. Maximum section 5x4mm <sup>2</sup> L 115 x Ø 34
 <b>MOR685P/3V</b> Connector Y, IP68 3Ways/5Poles. Maximum section 5x2.5mm <sup>2</sup> L 147 x W 73 x H 33	 <b>E.TRA.580</b> Ultra compact type 2+3 hard wired surge protector. CLI - IP67. Disconnection signaling by indicator. AC disconnection in case of end of life. L 37 x W 30 x H 30

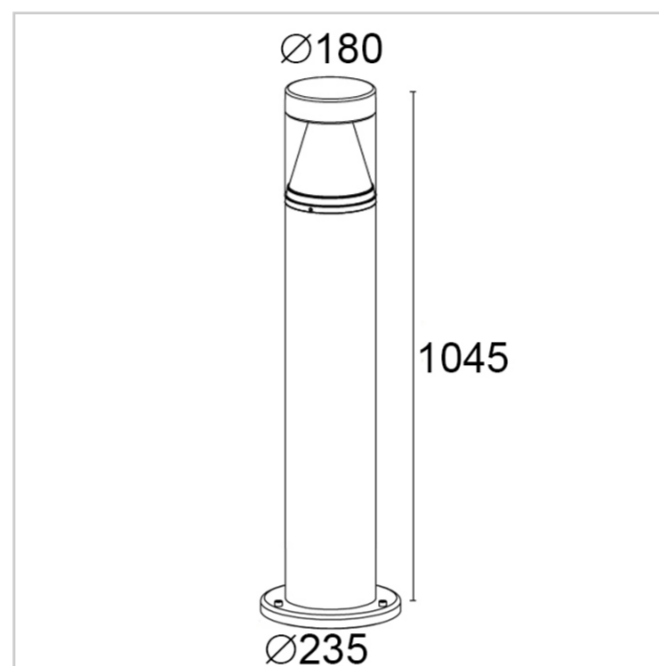
## Siluretto 092-335-WD10

Small Poles - Bollard DALI with base for above ground installation

Rev. 23/04/2024



Siluretto is designed specifically for the residential lighting of paths, gardens, avenues, all in respect of the Regulations on Light Pollution, through the use of 360° radial optics that guarantee an emission mainly directed towards the ground. The lamp body is firmly connected to the pole by means of a bayonet coupling which makes it easily removable during normal maintenance operations. The equipment includes the use of LED sources, power supply with driver incorporated with fixed or Dali dimmable output on request with extra charge.



### FIXTURE SPECIFICATIONS

#### ASSEMBLY / USAGE

Ground installation

#### PROTECTION

IP 65 - IK 08

#### BODY

Pole: Extruded aluminium alloy - Body/Base: Die-cast aluminium alloy

#### SCREEN

Transparent Polycarbonate

#### SEALS

Closed-cell EPDM rubber

#### SCREWS

Stainless steel A2

#### PAINT / FINISHING

Anti-corrosive UV stabilised polyester powder

#### SIZES

H 1045 x Ø 180

### ELECTRICAL SPECIFICATIONS

#### POWER SUPPLY

220-240Vac 50/60Hz

#### DRIVER

Built-in

#### DRIVER CURRENT

650mA

#### CONTROL

DALI-2 integrated

#### SPECIFIC WIRING

Inclusa/Included

#### WIRING

Included

#### POWER MODULE LED

24W

#### ABSORBED POWER

26W

#### SOURCE

LED

#### SOURCE FLUX

3840 lm

#### FIXTURE SOURCE

2020 lm

#### APPARENT EFFICIENCY

53 %

#### INSULATION CLASS

I

#### OVERVOLTAGE PROTECTION

2kV-3kV

#### OPERATING TA

50 °

#### ENERGETIC CLASS

A

#### CCT LED

3000K

#### CRI

>80

#### STEP MACADAM

3

#### LIFE TIME TM-21

L80B10 50000h

#### PHOTOBIOLOGICAL RISK

RG0







#### BEAM OPENING

Diffuse 360°

## COLORS



## ACCESSORIES

 <b>E.CAV.538.020</b> Cable H05BQ-F 5x1 L 2 mt	 <b>E.CAV.538.050</b> Cable H05BQ-F 5x1 L 5 mt
 <b>E.CAV.538.100</b> Cable H05BQ-F 5x1 L 10 mt	 <b>MOR685P/2V</b> Connector IP68 2Ways/5Poles. Maximum section 5x4mm <sup>2</sup> L 115 x Ø 34
 <b>MOR685P/3V</b> Connector Y, IP68 3Ways/5Poles. Maximum section 5x2.5mm <sup>2</sup> L 147 x W 73 x H 33	 <b>E.TRA.580</b> Ultra compact type 2+3 hard wired surge protector. CLI - IP67. Disconnection signaling by indicator. AC disconnection in case of end of life. L 37 x W 30 x H 30

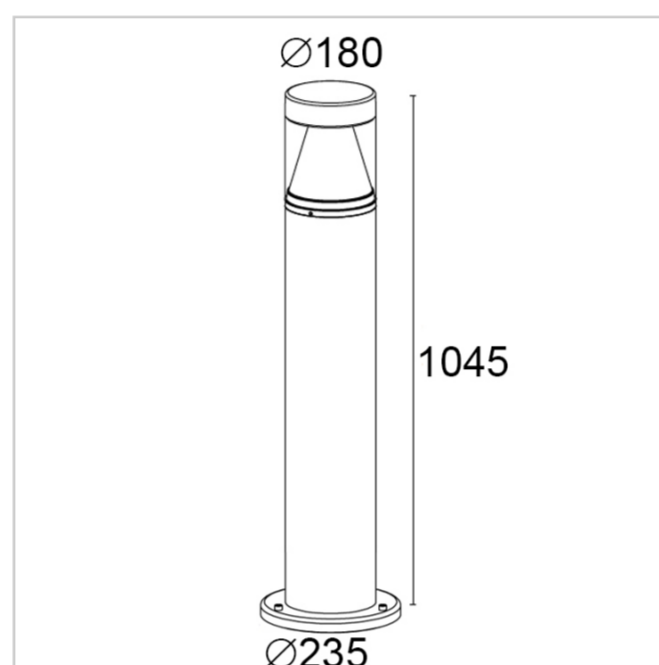
## Siluretto 092-335-HD10

Small Poles - Bollard DALI with base for above ground installation

Rev. 23/04/2024



Siluretto is designed specifically for the residential lighting of paths, gardens, avenues, all in respect of the Regulations on Light Pollution, through the use of 360° radial optics that guarantee an emission mainly directed towards the ground. The lamp body is firmly connected to the pole by means of a bayonet coupling which makes it easily removable during normal maintenance operations. The equipment includes the use of LED sources, power supply with driver incorporated with fixed or Dali dimmable output on request with extra charge.



### FIXTURE SPECIFICATIONS

#### ASSEMBLY / USAGE

Ground installation

#### PROTECTION

IP 65 - IK 08

#### BODY

Pole: Extruded aluminium alloy - Body/Base: Die-cast aluminium alloy

#### SCREEN

Transparent Polycarbonate

#### SEALS

Closed-cell EPDM rubber

#### SCREWS

Stainless steel A2

#### PAINT / FINISHING

Anti-corrosive UV stabilised polyester powder

#### SIZES

H 1045 x Ø 180

### ELECTRICAL SPECIFICATIONS

#### POWER SUPPLY

220-240Vac 50/60Hz

#### DRIVER

Built-in

#### DRIVER CURRENT

650mA

#### CONTROL

DALI-2 integrated

#### SPECIFIC WIRING

Inclusa/Included

#### WIRING

Included

#### POWER MODULE LED

24W

#### ABSORBED POWER

26W

#### SOURCE

LED

#### SOURCE FLUX

3648 lm

#### FIXTURE SOURCE

1919 lm

#### APPARENT EFFICIENCY

53 %

#### INSULATION CLASS

I

#### OVERVOLTAGE PROTECTION

2kV-3kV

#### OPERATING TA

50 °

#### ENERGETIC CLASS

A

#### CCT LED

2700K

#### CRI

>80

#### STEP MACADAM

3

#### LIFE TIME TM-21

L80B10 50000h

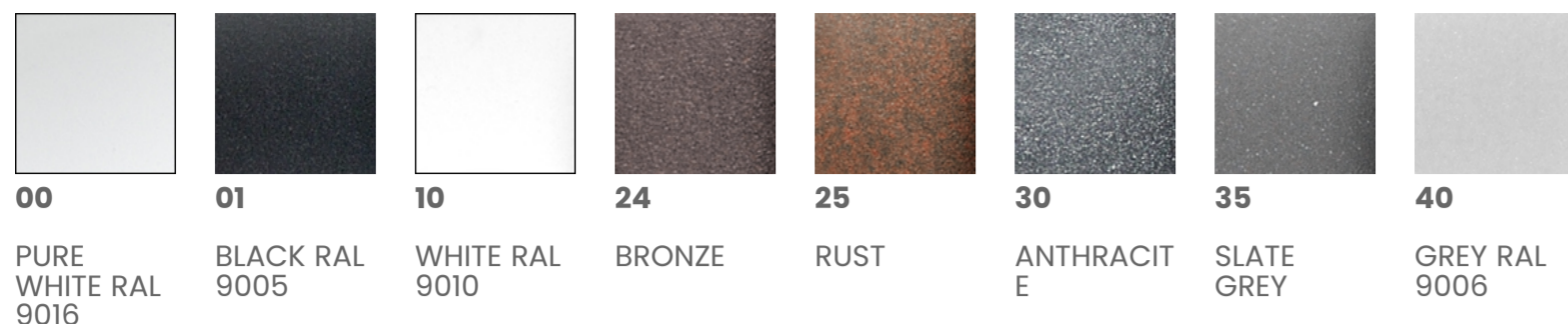
#### PHOTOBIOLOGICAL RISK

RG0







#### BEAM OPENING

Diffuse 360°

## COLORS



## ACCESSORIES

 <b>E.CAV.538.020</b> Cable H05BQ-F 5x1 L 2 mt	 <b>E.CAV.538.050</b> Cable H05BQ-F 5x1 L 5 mt
 <b>E.CAV.538.100</b> Cable H05BQ-F 5x1 L 10 mt	 <b>MOR685P/2V</b> Connector IP68 2Ways/5Poles. Maximum section 5x4mm <sup>2</sup> L 115 x Ø 34
 <b>MOR685P/3V</b> Connector Y, IP68 3Ways/5Poles. Maximum section 5x2.5mm <sup>2</sup> L 147 x W 73 x H 33	 <b>E.TRA.580</b> Ultra compact type 2+3 hard wired surge protector. CLI - IP67. Disconnection signaling by indicator. AC disconnection in case of end of life. L 37 x W 30 x H 30

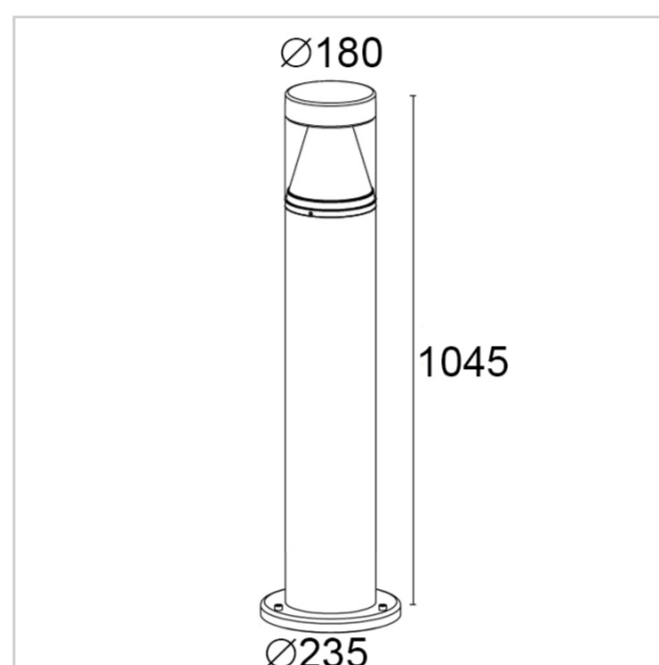
## Siluretto 092-335-NR10

Small Poles - Bollard with base for above ground installation

Rev. 23/04/2024



Siluretto is designed specifically for the residential lighting of paths, gardens, avenues, all in respect of the Regulations on Light Pollution, through the use of 360° radial optics that guarantee an emission mainly directed towards the ground. The lamp body is firmly connected to the pole by means of a bayonet coupling which makes it easily removable during normal maintenance operations. The equipment includes the use of LED sources, power supply with driver incorporated with fixed or Dali dimmable output on request with extra charge.



### FIXTURE SPECIFICATIONS

#### ASSEMBLY / USAGE

Ground installation

#### PROTECTION

IP 65 - IK 08

#### BODY

Pole: Extruded aluminium alloy - Body/Base: Die-cast aluminium alloy

#### SCREEN

Transparent Polycarbonate

#### SEALS

Closed-cell EPDM rubber

#### SCREWS

Stainless steel A2

#### PAINT / FINISHING

Anti-corrosive UV stabilised polyester powder

#### SIZES

H 1045 x Ø 180

### ELECTRICAL SPECIFICATIONS

#### POWER SUPPLY

220-240Vac 50/60Hz

#### DRIVER

Built-in

#### DRIVER CURRENT

650mA

#### CONTROL

ON/OFF

#### SPECIFIC WIRING

Inclusa/Included

#### WIRING

Included

#### POWER MODULE LED

24W

#### ABSORBED POWER

26W

#### SOURCE

LED

#### SOURCE FLUX

4080 lm

#### FIXTURE SOURCE

2110 lm

#### APPARENT EFFICIENCY

52 %

#### INSULATION CLASS

I

#### OVERVOLTAGE PROTECTION

2kV-3kV

#### OPERATING TA

50 °

#### ENERGETIC CLASS

A

#### CCT LED

4000K

#### CRI

>80

#### STEP MACADAM

3

#### LIFE TIME TM-21

L80B10 50000h

#### PHOTOBIOLOGICAL RISK

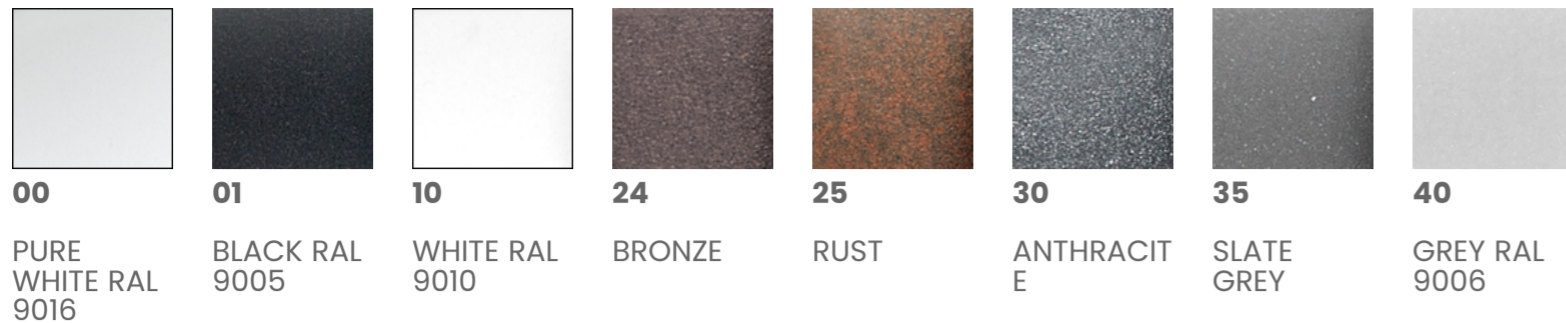
RG0

#### BEAM OPENING

Diffuse 360°

## COLORS

---



## ACCESSORIES

---



**MOR683P/2V** Connector IP68 2Way/3Poles. Maximum section 3x2.5mm<sup>2</sup>

L 82 x Ø 28



**MOR685P/3V** Connector Y, IP68 3Ways/5Poles. Maximum section 5x2.5mm<sup>2</sup>

L 147 x W 73 x H 33



**E.TRA.580** Ultra compact type 2+3 hard wired surge protector. CLI - IP67. Disconnection signaling by indicator. AC disconnection in case of end of life.

L 37 x W 30 x H 30



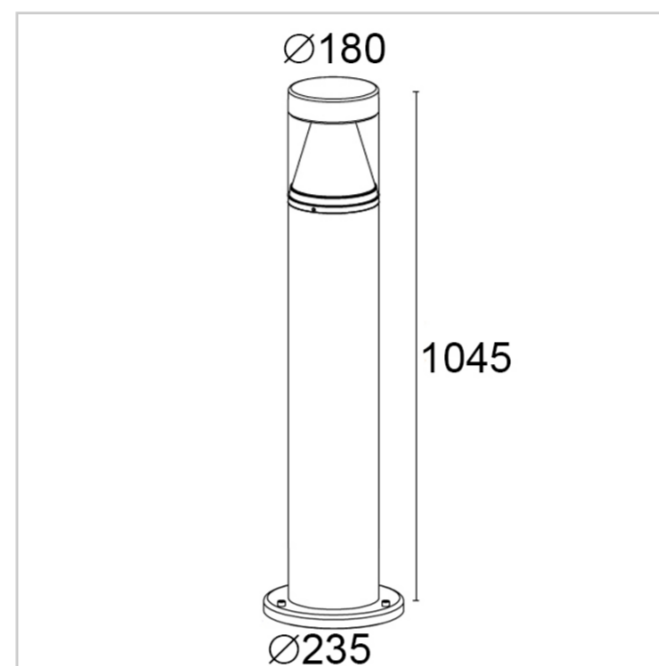
## Siluretto 092-335-WR10

Small Poles - Bollard with base for above ground installation

Rev. 23/04/2024



Siluretto is designed specifically for the residential lighting of paths, gardens, avenues, all in respect of the Regulations on Light Pollution, through the use of 360° radial optics that guarantee an emission mainly directed towards the ground. The lamp body is firmly connected to the pole by means of a bayonet coupling which makes it easily removable during normal maintenance operations. The equipment includes the use of LED sources, power supply with driver incorporated with fixed or Dali dimmable output on request with extra charge.



### FIXTURE SPECIFICATIONS

#### ASSEMBLY / USAGE

Ground installation

#### PROTECTION

IP 65 - IK 08

#### BODY

Pole: Extruded aluminium alloy - Body/Base: Die-cast aluminium alloy

#### SCREEN

Transparent Polycarbonate

#### SEALS

Closed-cell EPDM rubber

#### SCREWS

Stainless steel A2

#### PAINT / FINISHING

Anti-corrosive UV stabilised polyester powder

#### SIZES

H 1045 x Ø 180

### ELECTRICAL SPECIFICATIONS

#### POWER SUPPLY

220-240Vac 50/60Hz

#### DRIVER

Built-in

#### DRIVER CURRENT

650mA

#### CONTROL

ON/OFF

#### SPECIFIC WIRING

Inclusa/Included

#### WIRING

Included

#### POWER MODULE LED

24W

#### ABSORBED POWER

26W

#### SOURCE

LED

#### SOURCE FLUX

3840 lm

#### FIXTURE SOURCE

2020 lm

#### APPARENT EFFICIENCY

53 %

#### INSULATION CLASS

I

#### OVERVOLTAGE PROTECTION

2kV-3kV

#### OPERATING TA

50 °

#### ENERGETIC CLASS

A

#### CCT LED

3000K

#### CRI

>80

#### STEP MACADAM

3

#### LIFE TIME TM-21

L80B10 50000h

#### PHOTOBIOLOGICAL RISK

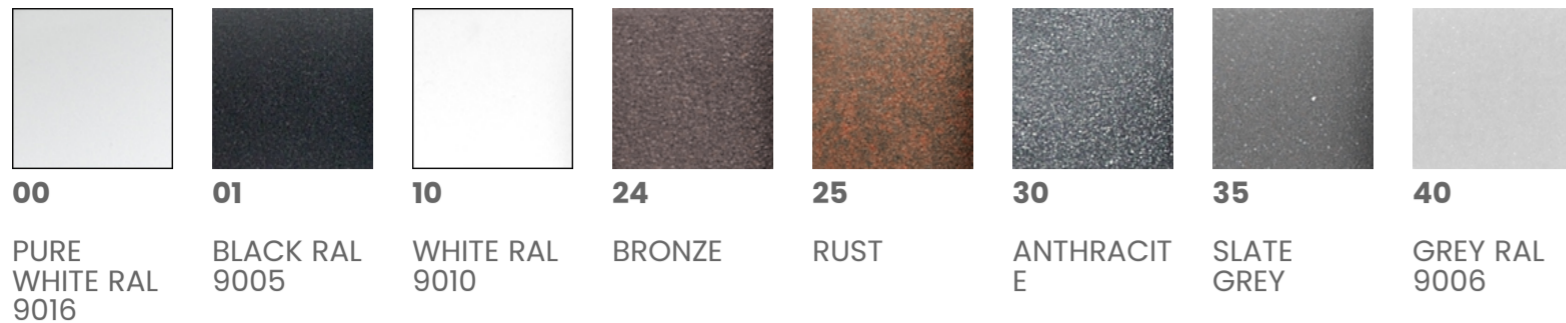
RG0

#### BEAM OPENING

Diffuse 360°

## COLORS

---



## ACCESSORIES

---



**MOR683P/2V** Connector IP68 2Way/3Poles. Maximum section 3x2.5mm<sup>2</sup>

L 82 x Ø 28



**MOR685P/3V** Connector Y, IP68 3Ways/5Poles. Maximum section 5x2.5mm<sup>2</sup>

L 147 x W 73 x H 33



**E.TRA.580** Ultra compact type 2+3 hard wired surge protector. CLI - IP67. Disconnection signaling by indicator. AC disconnection in case of end of life.

L 37 x W 30 x H 30

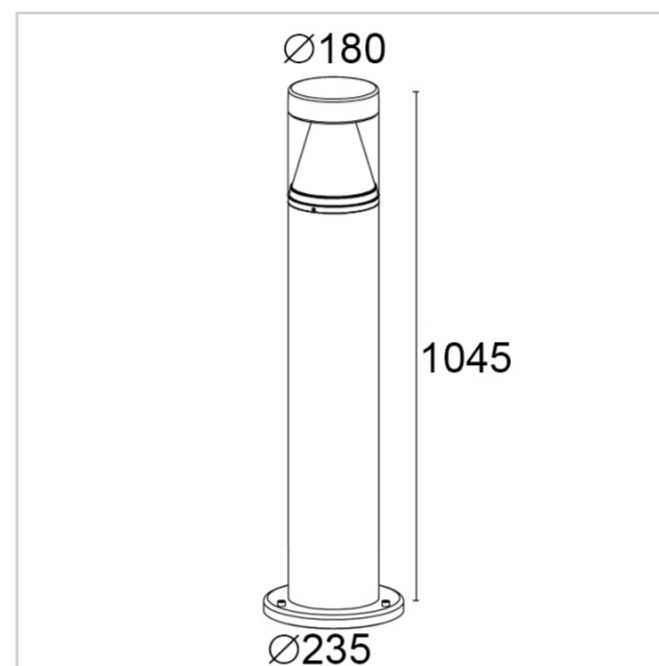
## Siluretto 092-335-HR10

Small Poles - Bollard with base for above ground installation

Rev. 23/04/2024



Siluretto is designed specifically for the residential lighting of paths, gardens, avenues, all in respect of the Regulations on Light Pollution, through the use of 360° radial optics that guarantee an emission mainly directed towards the ground. The lamp body is firmly connected to the pole by means of a bayonet coupling which makes it easily removable during normal maintenance operations. The equipment includes the use of LED sources, power supply with driver incorporated with fixed or Dali dimmable output on request with extra charge.



### FIXTURE SPECIFICATIONS

#### ASSEMBLY / USAGE

Ground installation

#### PROTECTION

IP 65 - IK 08

#### BODY

Pole: Extruded aluminium alloy - Body/Base: Die-cast aluminium alloy

#### SCREEN

Transparent Polycarbonate

#### SEALS

Closed-cell EPDM rubber

#### SCREWS

Stainless steel A2

#### PAINT / FINISHING

Anti-corrosive UV stabilised polyester powder

#### SIZES

H 1045 x Ø 180

### ELECTRICAL SPECIFICATIONS

#### POWER SUPPLY

220-240Vac 50/60Hz

#### DRIVER

Built-in

#### DRIVER CURRENT

650mA

#### CONTROL

ON/OFF

#### SPECIFIC WIRING

Inclusa/Included

#### WIRING

Included

#### POWER MODULE LED

24W

#### ABSORBED POWER

26W

#### SOURCE

LED

#### SOURCE FLUX

3648 lm

#### FIXTURE SOURCE

1919 lm

#### APPARENT EFFICIENCY

53 %

#### INSULATION CLASS

I

#### OVERVOLTAGE PROTECTION

2kV-3kV

#### OPERATING TA

50 °

#### ENERGETIC CLASS

A

#### CCT LED

2700K

#### CRI

>80

#### STEP MACADAM

3

#### LIFE TIME TM-21

L80B10 50000h

#### PHOTOBIOLOGICAL RISK

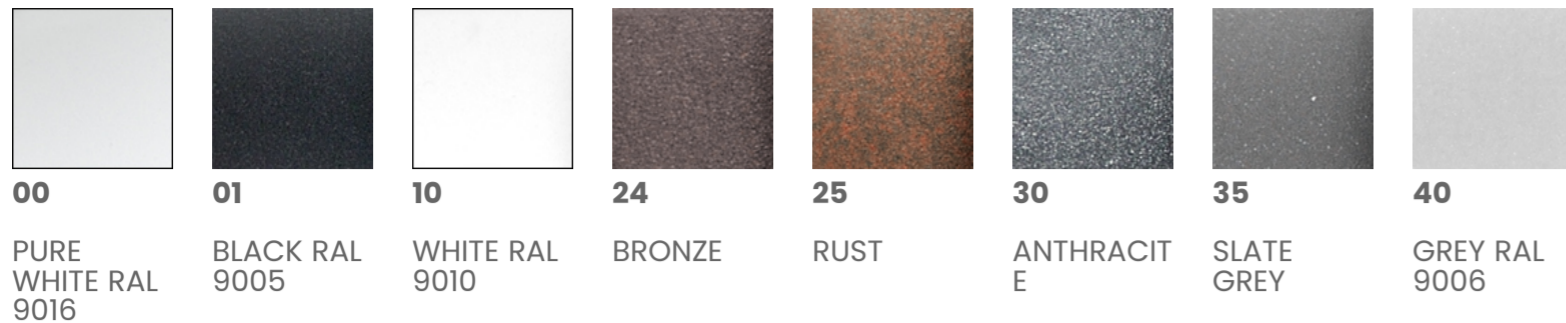
RG0

#### BEAM OPENING

Diffuse 360°

## COLORS

---



## ACCESSORIES

---



**MOR683P/2V** Connector IP68 2Way/3Poles. Maximum section 3x2.5mm<sup>2</sup>

L 82 x Ø 28



**MOR685P/3V** Connector Y, IP68 3Ways/5Poles. Maximum section 5x2.5mm<sup>2</sup>

L 147 x W 73 x H 33



**E.TRA.580** Ultra compact type 2+3 hard wired surge protector. CLI - IP67. Disconnection signaling by indicator. AC disconnection in case of end of life.

L 37 x W 30 x H 30