

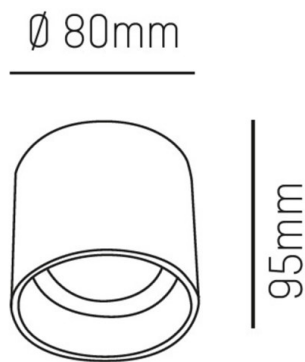
**AEON**

**305-602530b**

AEON ROUND SURFACE MOUNTED CEILING LUMINAIRE made of aluminium, black matt, similar to RAL 9005, beam 45°, light output direct, with converter, dimmability: not dimmable, IP20



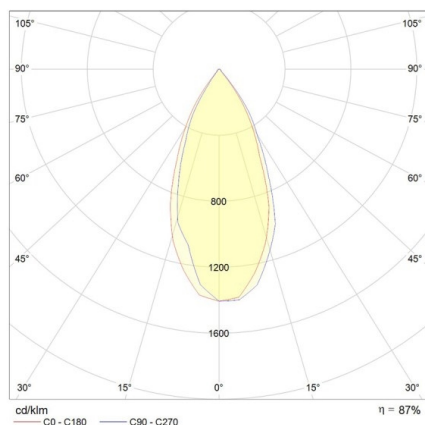
**DRAWING**



**TECHNICAL DETAILS**

System perform. [W]	6
Bulb type	LED
Luminous flux [lm]	510
Colour temp. [K]	3000K
CRI	>80
Converter	with converter
Dimming	not dimmable
Light output	direct
Beam angle [°]	45°
Voltage [V]	220-240V 50/60Hz
Material	aluminium
Height [mm]	95
Diameter [mm]	80
IP protection class	IP20
Voltage class	protection cl. I
Net weight [kg]	0,39
Colour lamp	black matt
RAL	9005
EAN-Number	9008905795411
Lifetime [h]	L80 B10 20 000
Energy efficiency cl.	F

**LIGHT DISTRIBUTION CURVE**



The values are rated values. Power and luminous flux are initially subject to a tolerance of +/- 10%. Colour temperature tolerance: +/- 150 K. The values apply to an ambient temperature of 25°C unless otherwise specified.

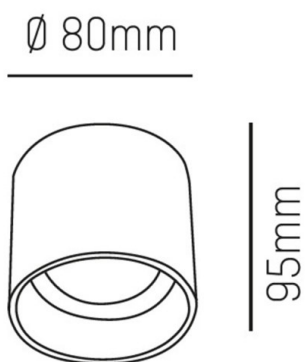
AEON

305-602527b

AEON ROUND SURFACE MOUNTED CEILING LUMINAIRE made of aluminium, black matt, similar to RAL 9005, beam 45°, light output direct, with converter, dimmability: not dimmable, IP20



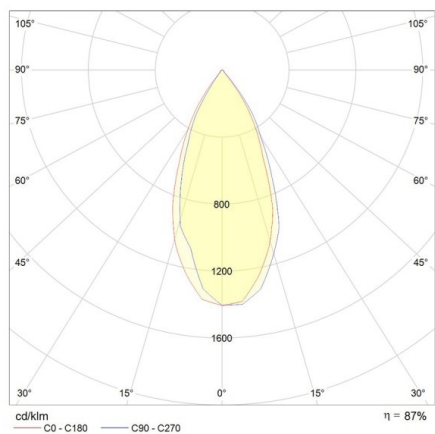
DRAWING



TECHNICAL DETAILS

System perform. [W]	6
Bulb type	LED
Luminous flux [lm]	475
Colour temp. [K]	2700K
CRI	>80
Converter	with converter
Dimming	not dimmable
Light output	direct
Beam angle [°]	45°
Voltage [V]	220-240V 50/60Hz
Material	aluminium
Height [mm]	95
Diameter [mm]	80
IP protection class	IP20
Voltage class	protection cl. I
Net weight [kg]	0,39
Colour lamp	black matt
RAL	9005
EAN-Number	9008905811166
Lifetime [h]	L80 B10 20 000
Energy efficiency cl.	F

LIGHT DISTRIBUTION CURVE



The values are rated values. Power and luminous flux are initially subject to a tolerance of +/- 10%. Colour temperature tolerance: +/- 150 K. The values apply to an ambient temperature of 25°C unless otherwise specified.

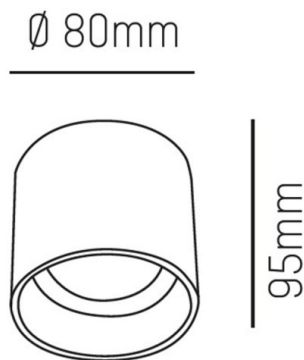
**AEON**

**305-602530w**

AEON ROUND SURFACE MOUNTED CEILING LUMINAIRE made of aluminium, white, similar to RAL 9003, beam 45°, light output direct, with converter, dimmability: not dimmable, IP20



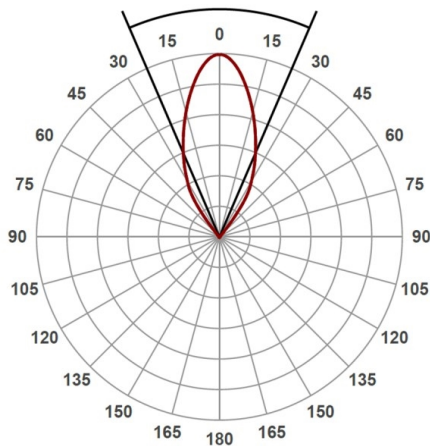
**DRAWING**



**TECHNICAL DETAILS**

System perform. [W]	6
Bulb type	LED
Luminous flux [lm]	510
Colour temp. [K]	3000K
CRI	>80
Converter	with converter
Dimming	not dimmable
Light output	direct
Beam angle [°]	45°
Voltage [V]	220-240V 50/60Hz
Material	aluminium
Height [mm]	95
Diameter [mm]	80
IP protection class	IP20
Voltage class	protection cl. I
Net weight [kg]	0,40
Colour lamp	white
RAL	9003
EAN-Number	9008905795435
Lifetime [h]	L80 B10 20 000
Energy efficiency cl.	F

**LIGHT DISTRIBUTION CURVE**



The values are rated values. Power and luminous flux are initially subject to a tolerance of +/- 10%. Colour temperature tolerance: +/- 150 K. The values apply to an ambient temperature of 25°C unless otherwise specified.

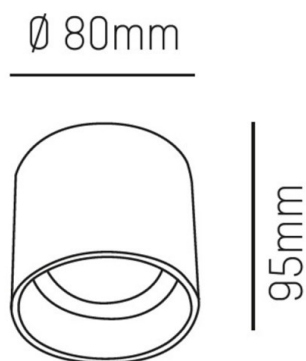
## AEON

305-602527w

AEON ROUND SURFACE MOUNTED CEILING LUMINAIRE made of aluminium, white, similar to RAL 9003, beam 45°, light output direct, with converter, dimmability: not dimmable, IP20



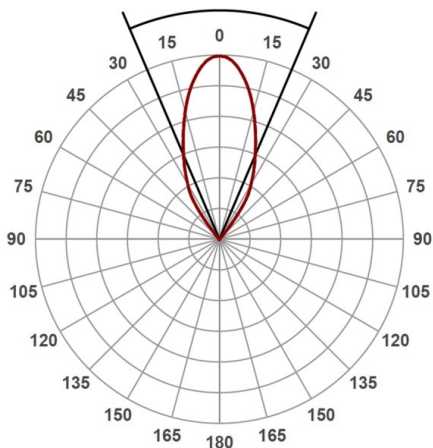
## DRAWING



## TECHNICAL DETAILS

System perform. [W]	6
Bulb type	LED
Luminous flux [lm]	475
Colour temp. [K]	2700K
CRI	>80
Converter	with converter
Dimming	not dimmable
Light output	direct
Beam angle [°]	45°
Voltage [V]	220-240V 50/60Hz
Material	aluminium
Height [mm]	95
Diameter [mm]	80
IP protection class	IP20
Voltage class	protection cl. I
Net weight [kg]	0,39
Colour lamp	white
RAL	9003
EAN-Number	9008905795428
Lifetime [h]	L80 B10 20 000
Energy efficiency cl.	F

## LIGHT DISTRIBUTION CURVE



The values are rated values. Power and luminous flux are initially subject to a tolerance of +/- 10%. Colour temperature tolerance: +/- 150 K. The values apply to an ambient temperature of 25°C unless otherwise specified.