

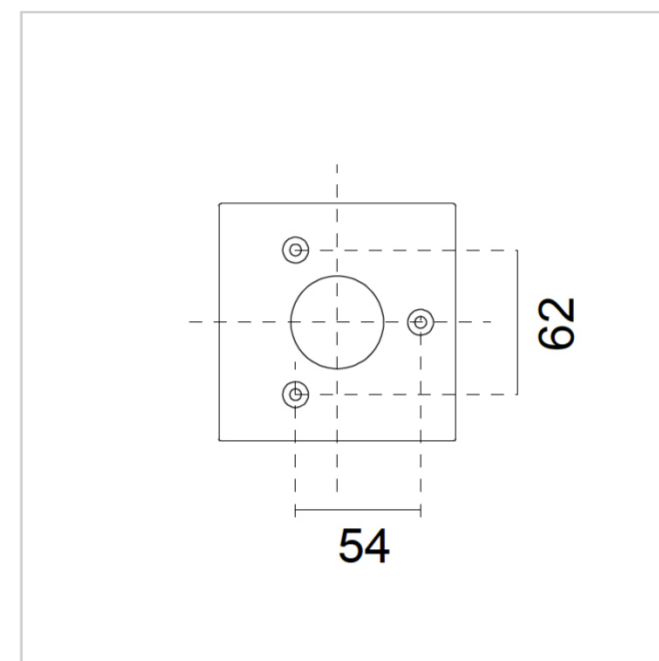
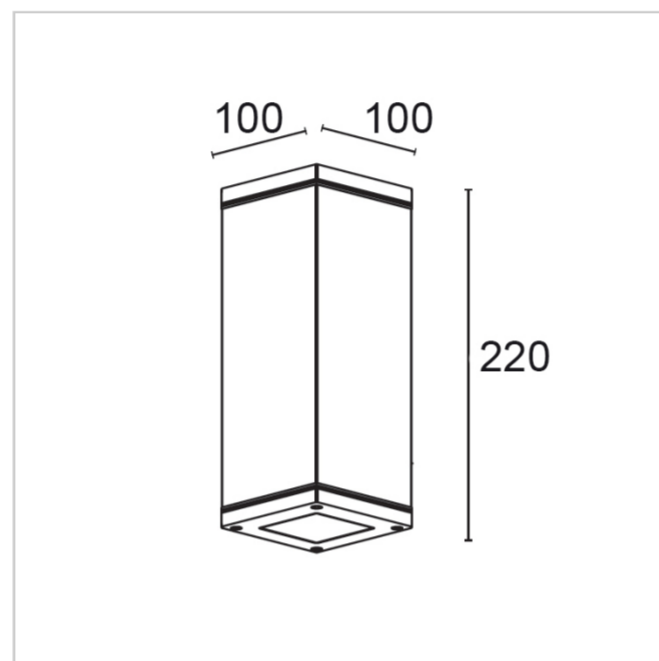
## Up&Down Q Ceiling 9814C/NC0.WB

Ceiling Lamps - Ceiling luminaire - Built-in driver

Rev. 31/10/2023



Ceiling luminaire ideal for grazing lighting of external facades. Up&Down-Q is equipped with secondary optics for controlling the luminous flux, which allow design flexibility through different combinations of direct and indirect emission. Includes the use of LED sources with built-in driver with fixed or dimmable Dali output on request with a surcharge.



### FIXTURE SPECIFICATIONS

#### ASSEMBLY / USAGE

Ceiling installation

#### PROTECTION

IP 65 - IK 07

#### BODY

Die-cast aluminium

#### SCREEN

Tempered extra-clear glass 6mm with silk-screen printing

#### SEALS

Closed-cell EPDM rubber

#### SCREWS

Stainless steel A2

#### PAINT / FINISHING

Anti-corrosive UV stabilised polyester powder

#### SIZES

H 220 x L 100 x W 100

### ELECTRICAL SPECIFICATIONS

#### POWER SUPPLY

220-240Vac 50/60Hz

#### DRIVER

Built-in

#### DRIVER CURRENT

600mA

#### CONTROL

DALI available on request

#### POWER MODULE LED

11W

#### ABSORBED POWER

13W

#### SOURCE

LED COB

#### SOURCE FLUX

1414 lm

#### FIXTURE SOURCE

1177 lm

#### APPARENT EFFICIENCY

83 %

#### INSULATION CLASS

I

#### OVERVOLTAGE PROTECTION

2kV-4kV

#### OPERATING TA

50 °

#### CCT LED

4000K

#### CRI

>80

#### STEP MACADAM

3

#### LIFE TIME TM-21

L80B10 50000h

#### PHOTOBIOLOGICAL RISK

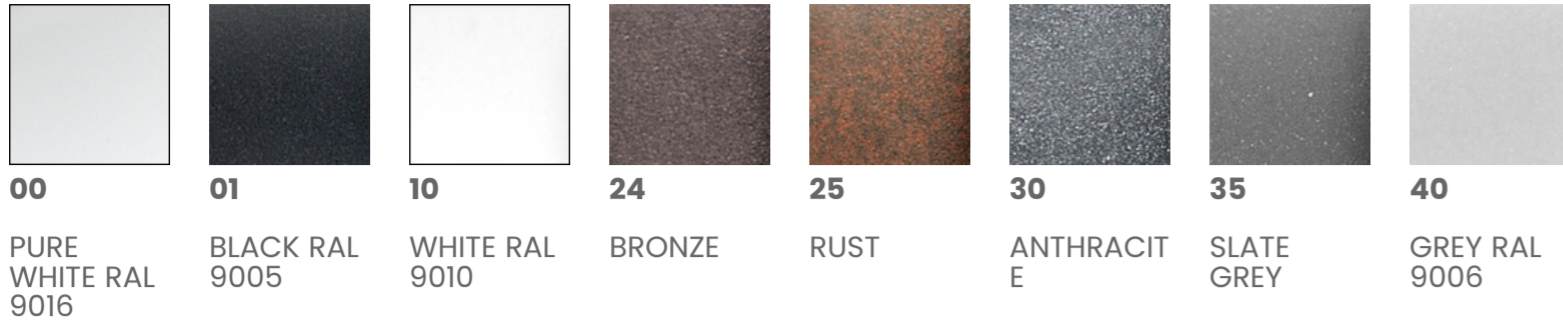
RG1

#### BEAM OPENING

Downlight Wide Flood/56°

## COLORS

---



## ACCESSORIES

---



**E.TRA.580** Ultra compact type 2+3 hard wired surge protector. CLI - IP67. Disconnection signaling by indicator. AC disconnection in case of end of life.  
L 37 x W 30 x H 30

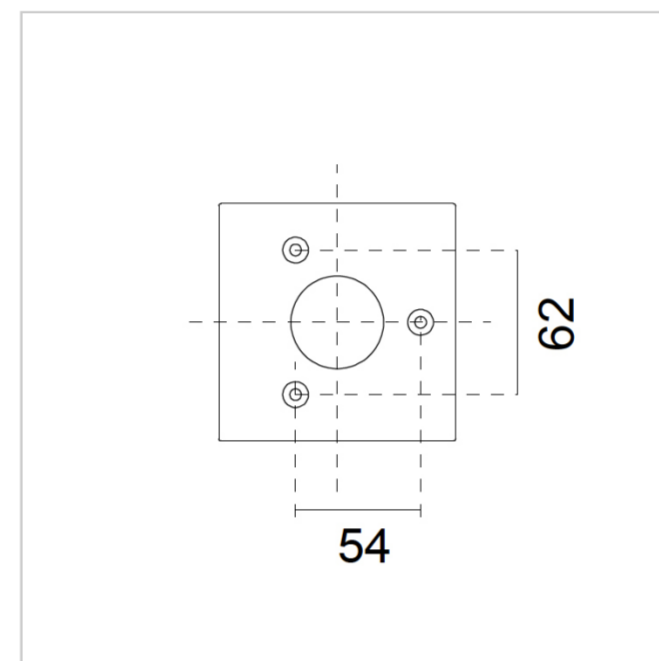
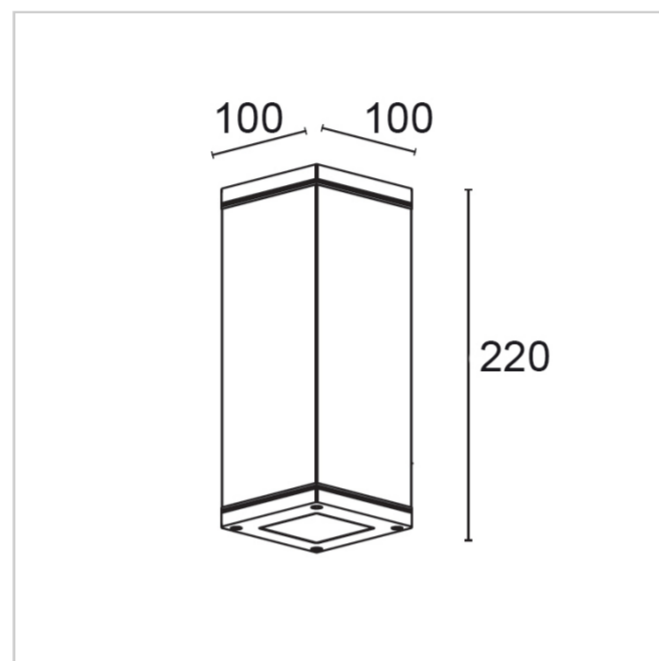
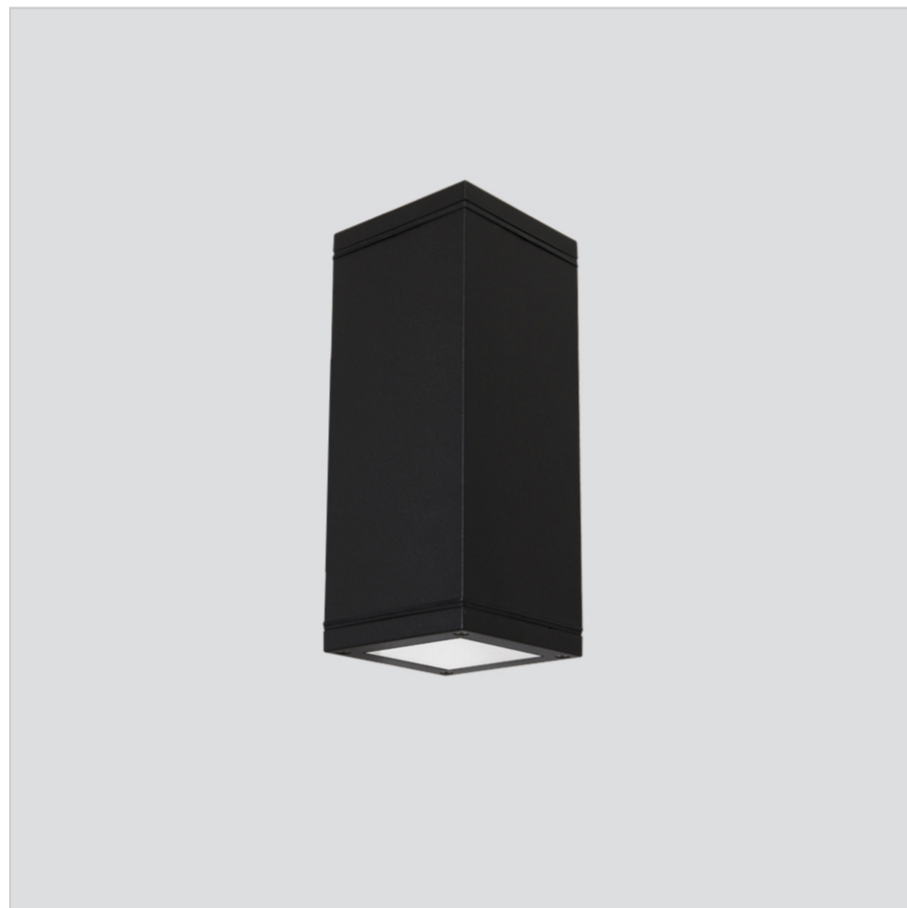
## Up&Down Q Ceiling 9814C/NC0.MB

Ceiling Lamps - Ceiling luminaire - Built-in driver

Rev. 31/10/2023



Ceiling luminaire ideal for grazing lighting of external facades. Up&Down-Q is equipped with secondary optics for controlling the luminous flux, which allow design flexibility through different combinations of direct and indirect emission. Includes the use of LED sources with built-in driver with fixed or dimmable Dali output on request with a surcharge.



### FIXTURE SPECIFICATIONS

#### ASSEMBLY / USAGE

Ceiling installation

#### PROTECTION

IP 65 - IK 07

#### BODY

Die-cast aluminium

#### SCREEN

Tempered extra-clear glass 6mm with silk-screen printing

#### SEALS

Closed-cell EPDM rubber

#### SCREWS

Stainless steel A2

#### PAINT / FINISHING

Anti-corrosive UV stabilised polyester powder

#### SIZES

H 220 x L 100 x W 100

### ELECTRICAL SPECIFICATIONS

#### POWER SUPPLY

220-240Vac 50/60Hz

#### DRIVER

Built-in

#### DRIVER CURRENT

600mA

#### CONTROL

DALI available on request

#### POWER MODULE LED

11W

#### ABSORBED POWER

13W

#### SOURCE

LED COB

#### SOURCE FLUX

1414 lm

#### FIXTURE SOURCE

1288 lm

#### APPARENT EFFICIENCY

91 %

#### INSULATION CLASS

I

#### OVERVOLTAGE PROTECTION

2kV-4kV

#### OPERATING TA

50 °

#### CCT LED

4000K

#### CRI

>80

#### STEP MACADAM

3

#### LIFE TIME TM-21

L80B10 50000h

#### PHOTOBIOLOGICAL RISK

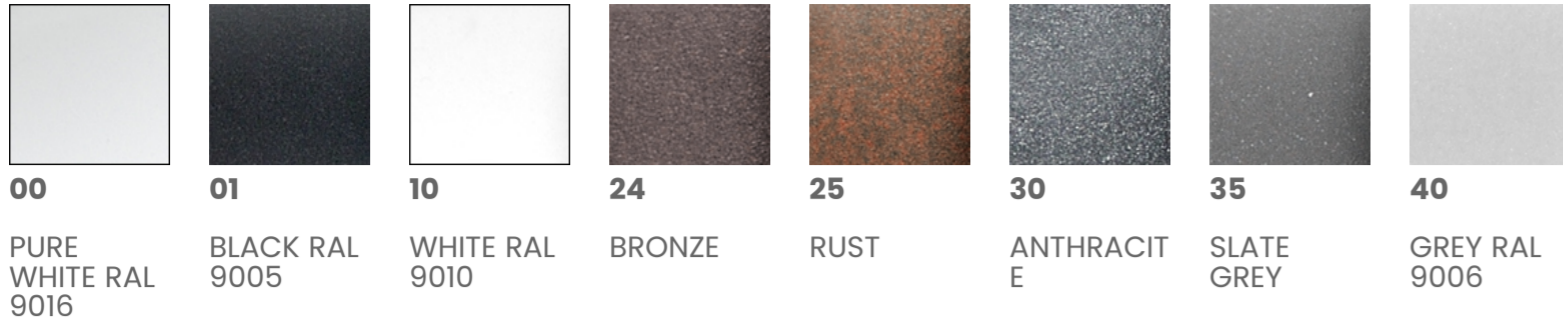
RG1

#### BEAM OPENING

Downlight Flood/26°

## COLORS

---



## ACCESSORIES

---



**E.TRA.580** Ultra compact type 2+3 hard wired surge protector. CLI - IP67. Disconnection signaling by indicator. AC disconnection in case of end of life.  
L 37 x W 30 x H 30

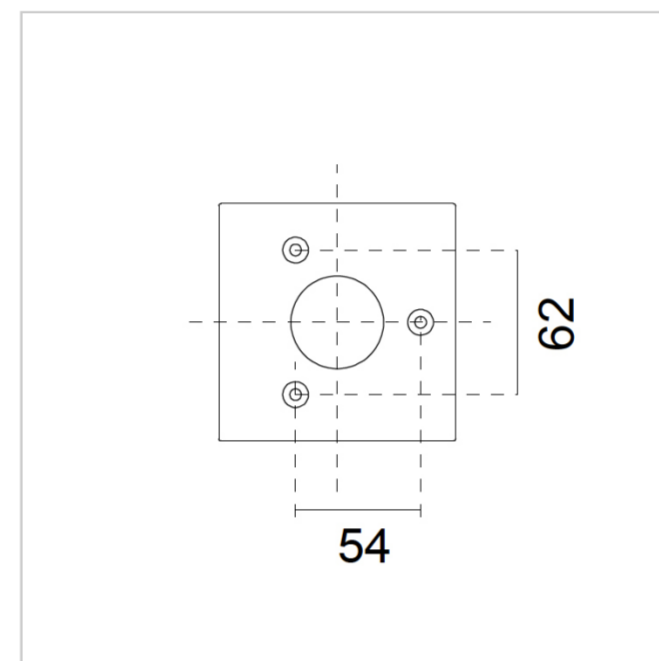
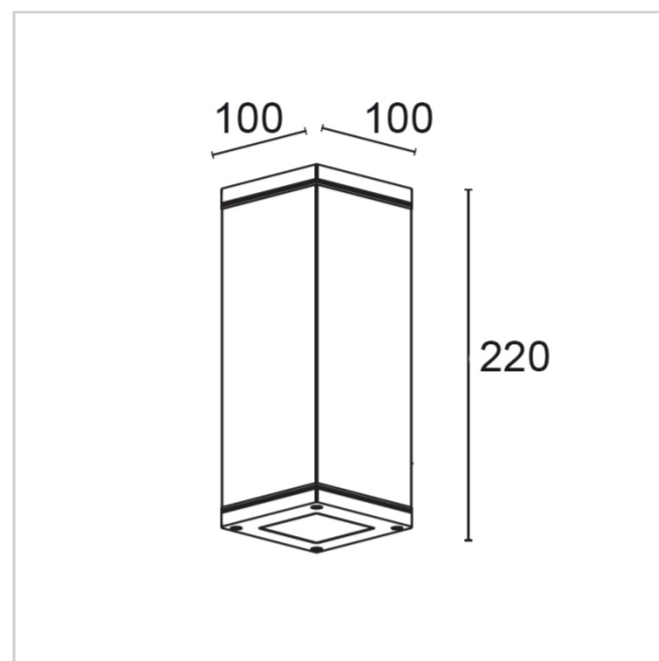
## Up&Down Q Ceiling 9814C/NC0.NB

Ceiling Lamps - Ceiling luminaire - Built-in driver

Rev. 31/10/2023



Ceiling luminaire ideal for grazing lighting of external facades. Up&Down-Q is equipped with secondary optics for controlling the luminous flux, which allow design flexibility through different combinations of direct and indirect emission. Includes the use of LED sources with built-in driver with fixed or dimmable Dali output on request with a surcharge.



### FIXTURE SPECIFICATIONS

#### ASSEMBLY / USAGE

Ceiling installation

#### PROTECTION

IP 65 - IK 07

#### BODY

Die-cast aluminium

#### SCREEN

Tempered extra-clear glass 6mm with silk-screen printing

#### SEALS

Closed-cell EPDM rubber

#### SCREWS

Stainless steel A2

#### PAINT / FINISHING

Anti-corrosive UV stabilised polyester powder

#### SIZES

H 220 x L 100 x W 100

### ELECTRICAL SPECIFICATIONS

#### POWER SUPPLY

220-240Vac 50/60Hz

#### DRIVER

Built-in

#### DRIVER CURRENT

600mA

#### CONTROL

DALI available on request

#### POWER MODULE LED

11W

#### ABSORBED POWER

13W

#### SOURCE

LED COB

#### SOURCE FLUX

1414 lm

#### FIXTURE SOURCE

1283 lm

#### APPARENT EFFICIENCY

91 %

#### INSULATION CLASS

I

#### OVERVOLTAGE PROTECTION

2kV-4kV

#### OPERATING TA

50 °

#### CCT LED

4000K

#### CRI

>80

#### STEP MACADAM

3

#### LIFE TIME TM-21

L80B10 50000h

#### PHOTOBIOLOGICAL RISK

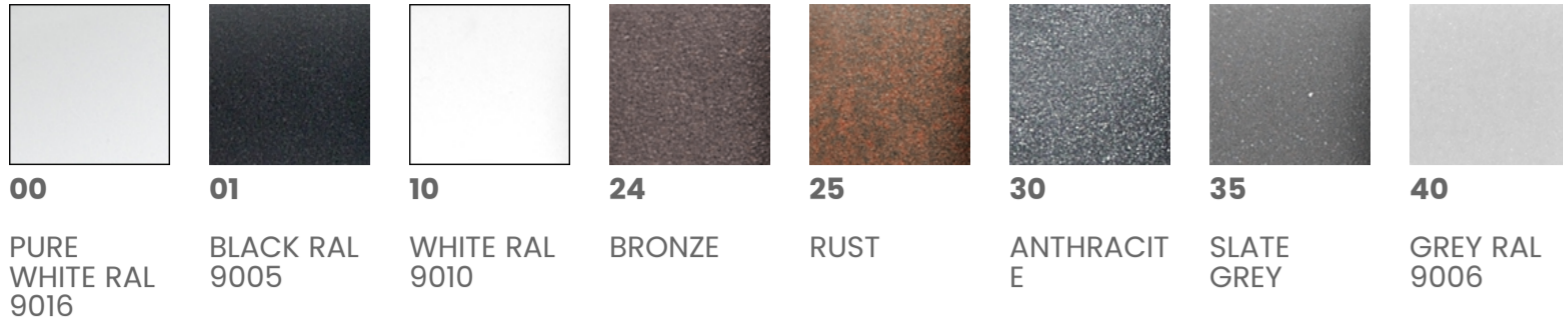
RG1

#### BEAM OPENING

Downlight Flood/10°

## COLORS

---



## ACCESSORIES

---



**E.TRA.580** Ultra compact type 2+3 hard wired surge protector. CLI - IP67. Disconnection signaling by indicator. AC disconnection in case of end of life.  
L 37 x W 30 x H 30

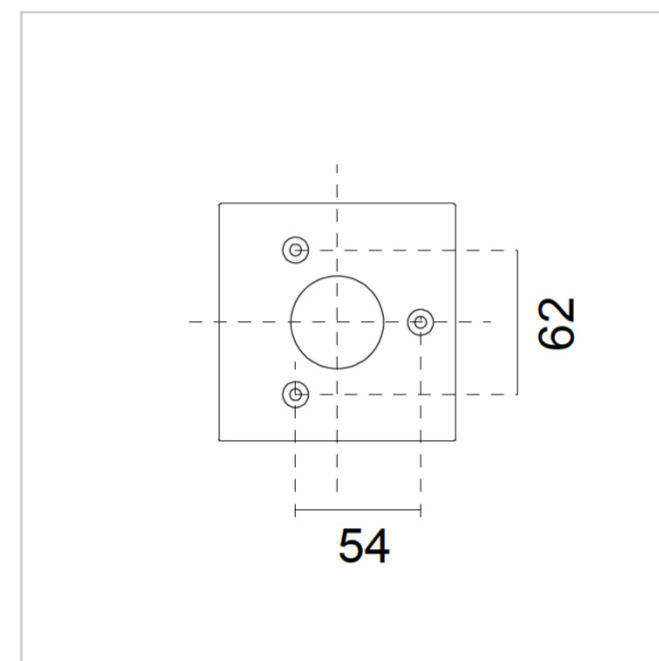
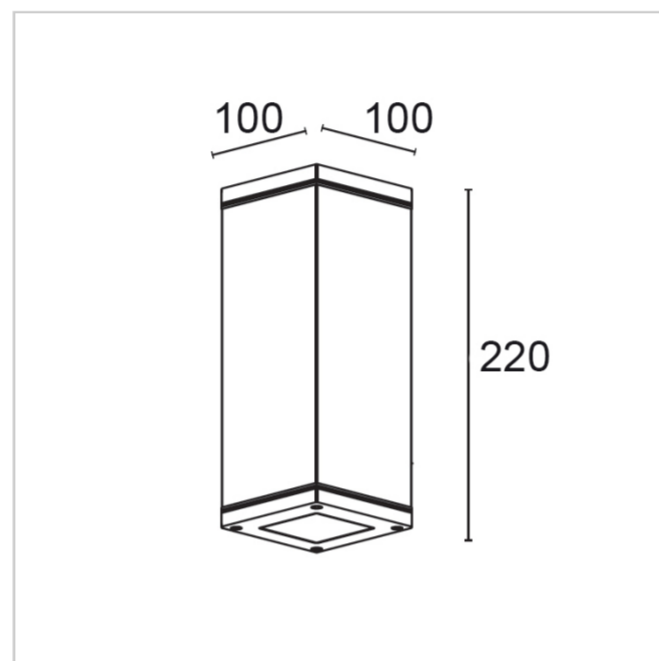
## Up&Down Q Ceiling 9814C/WC0.WB

Ceiling Lamps - Ceiling luminaire - Built-in driver

Rev. 31/10/2023



Ceiling luminaire ideal for grazing lighting of external facades. Up&Down-Q is equipped with secondary optics for controlling the luminous flux, which allow design flexibility through different combinations of direct and indirect emission. Includes the use of LED sources with built-in driver with fixed or dimmable Dali output on request with a surcharge.



### FIXTURE SPECIFICATIONS

#### ASSEMBLY / USAGE

Ceiling installation

#### PROTECTION

IP 65 - IK 07

#### BODY

Die-cast aluminium

#### SCREEN

Tempered extra-clear glass 6mm with silk-screen printing

#### SEALS

Closed-cell EPDM rubber

#### SCREWS

Stainless steel A2

#### PAINT / FINISHING

Anti-corrosive UV stabilised polyester powder

#### SIZES

H 220 x L 100 x W 100

### ELECTRICAL SPECIFICATIONS

#### POWER SUPPLY

220-240Vac 50/60Hz

#### DRIVER

Built-in

#### DRIVER CURRENT

600mA

#### CONTROL

DALI available on request

#### POWER MODULE LED

11W

#### ABSORBED POWER

13W

#### SOURCE

LED COB

#### SOURCE FLUX

1359 lm

#### FIXTURE SOURCE

1131 lm

#### APPARENT EFFICIENCY

83 %

#### INSULATION CLASS

I

#### OVERVOLTAGE PROTECTION

2kV-4kV

#### OPERATING TA

50 °

#### CCT LED

3000K

#### CRI

>80

#### STEP MACADAM

3

#### LIFE TIME TM-21

L80B10 50000h

#### PHOTOBIOLOGICAL RISK

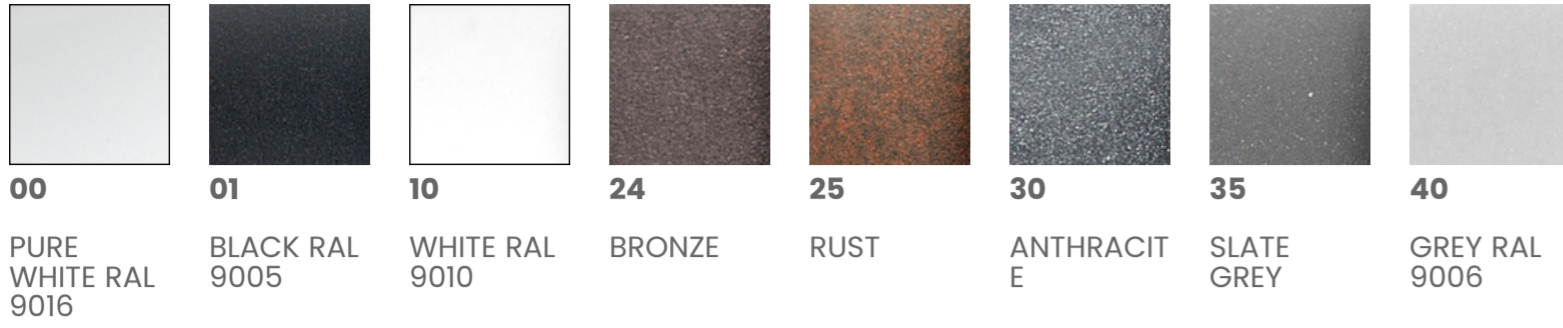
RG1

#### BEAM OPENING

Downlight Wide Flood/56°

## COLORS

---



## ACCESSORIES

---



**E.TRA.580** Ultra compact type 2+3 hard wired surge protector. CLI - IP67. Disconnection signaling by indicator. AC disconnection in case of end of life.  
L 37 x W 30 x H 30



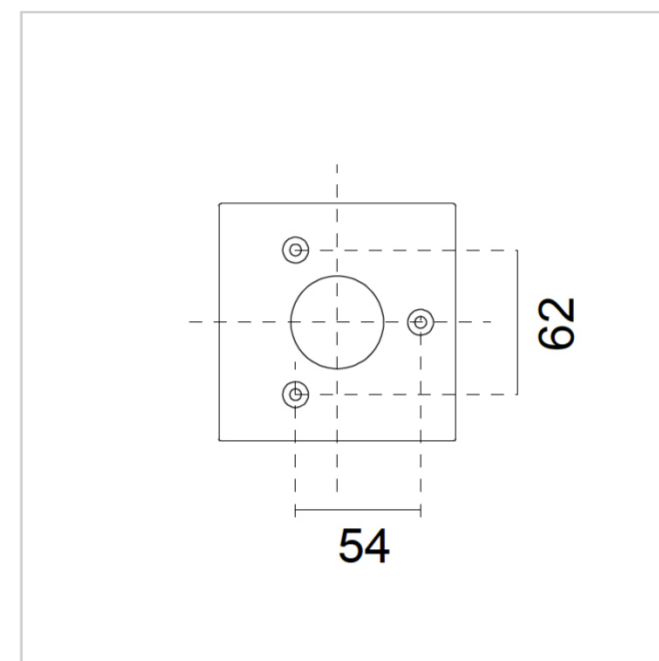
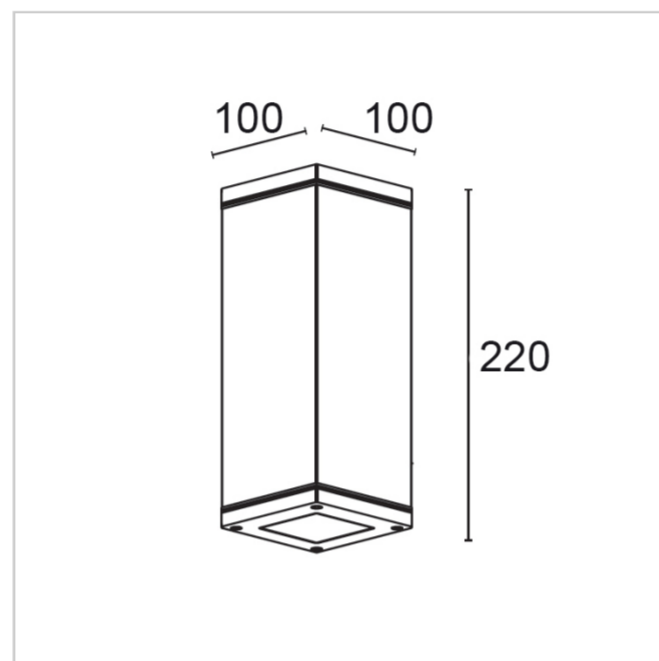
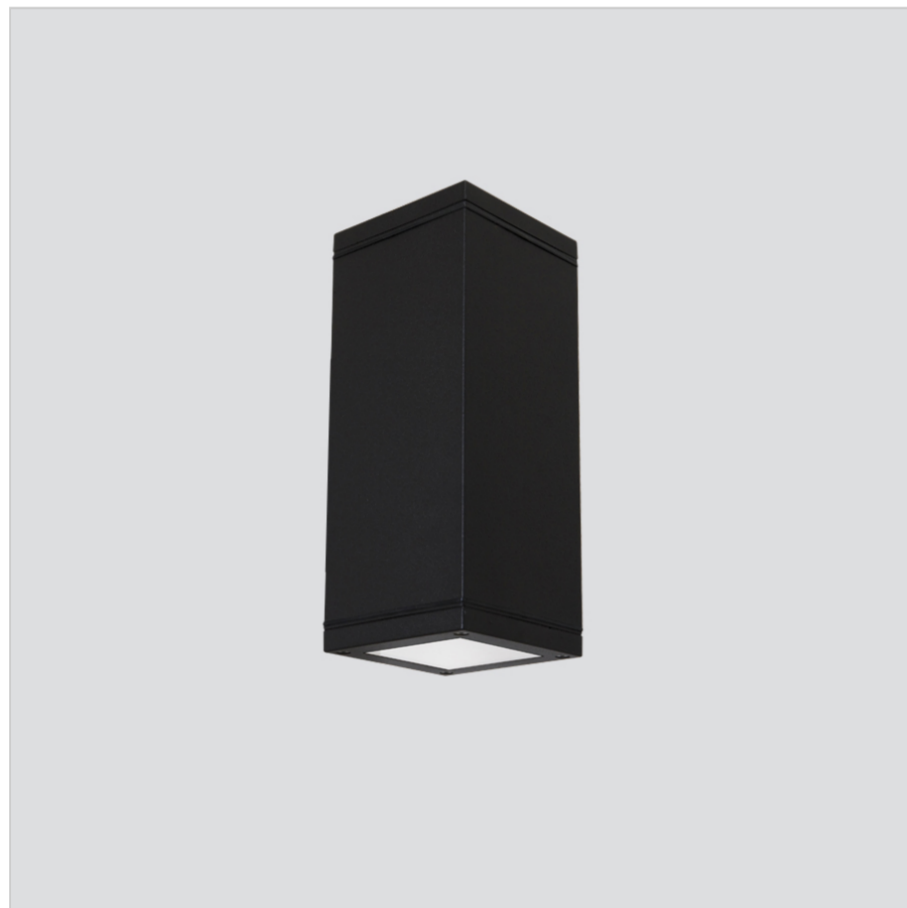
## Up&Down Q Ceiling 9814C/WC0.MB

Ceiling Lamps - Ceiling luminaire - Built-in driver

Rev. 31/10/2023



Ceiling luminaire ideal for grazing lighting of external facades. Up&Down-Q is equipped with secondary optics for controlling the luminous flux, which allow design flexibility through different combinations of direct and indirect emission. Includes the use of LED sources with built-in driver with fixed or dimmable Dali output on request with a surcharge.



### FIXTURE SPECIFICATIONS

#### ASSEMBLY / USAGE

Ceiling installation

#### PROTECTION

IP 65 - IK 07

#### BODY

Die-cast aluminium

#### SCREEN

Tempered extra-clear glass 6mm with silk-screen printing

#### SEALS

Closed-cell EPDM rubber

#### SCREWS

Stainless steel A2

#### PAINT / FINISHING

Anti-corrosive UV stabilised polyester powder

#### SIZES

H 220 x L 100 x W 100

### ELECTRICAL SPECIFICATIONS

#### POWER SUPPLY

220-240Vac 50/60Hz

#### DRIVER

Built-in

#### DRIVER CURRENT

600mA

#### CONTROL

DALI available on request

#### POWER MODULE LED

11W

#### ABSORBED POWER

13W

#### SOURCE

LED COB

#### SOURCE FLUX

1359 lm

#### FIXTURE SOURCE

1239 lm

#### APPARENT EFFICIENCY

91 %

#### INSULATION CLASS

I

#### OVERVOLTAGE PROTECTION

2kV-4kV

#### OPERATING TA

50 °

#### CCT LED

3000K

#### CRI

>80

#### STEP MACADAM

3

#### LIFE TIME TM-21

L80B10 50000h

#### PHOTOBIOLOGICAL RISK

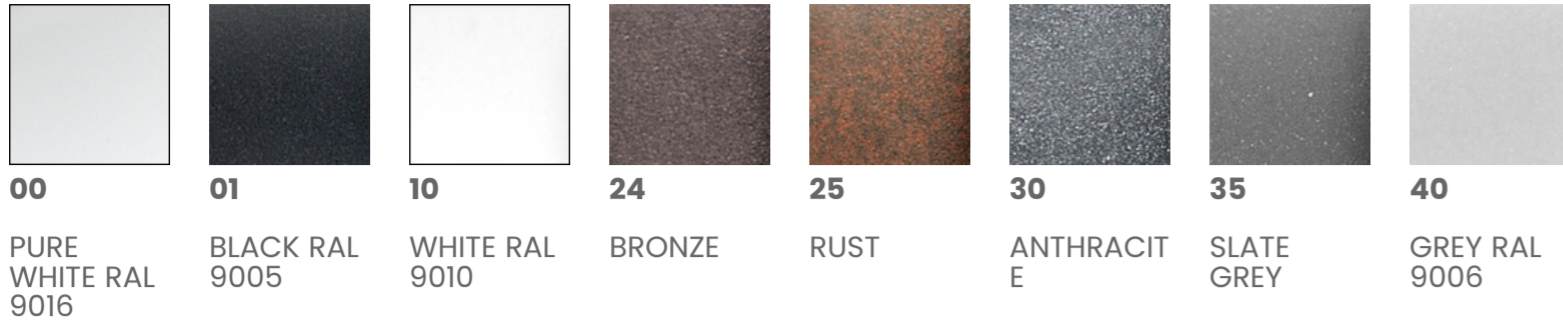
RG1

#### BEAM OPENING

Downlight Flood/26°

## COLORS

---



## ACCESSORIES

---



**E.TRA.580** Ultra compact type 2+3 hard wired surge protector. CLI - IP67. Disconnection signaling by indicator. AC disconnection in case of end of life.  
L 37 x W 30 x H 30

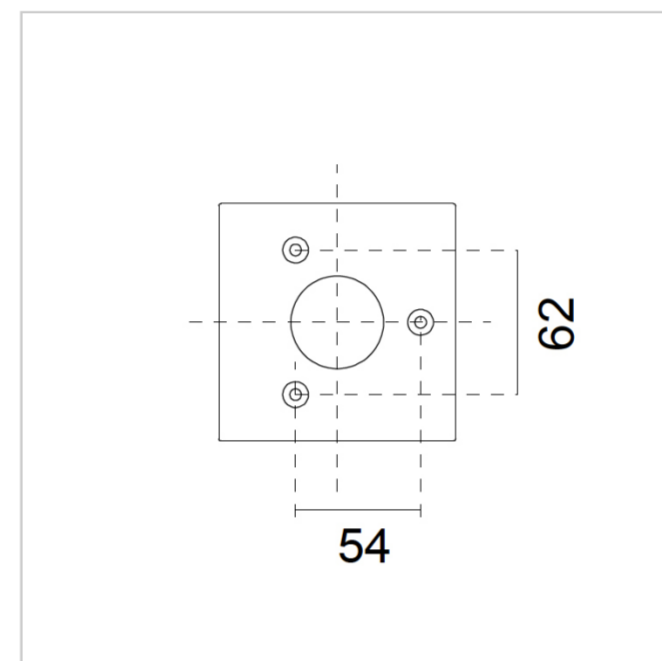
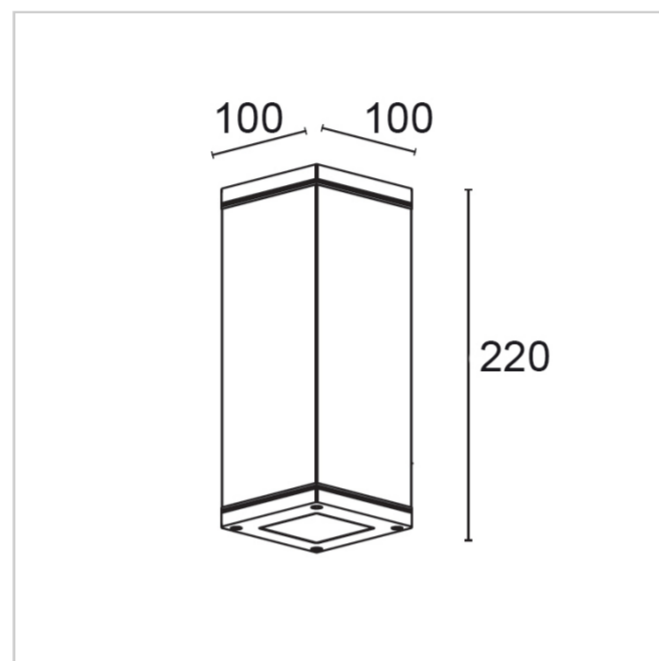
## Up&Down Q Ceiling 9814C/WC0.NB

Ceiling Lamps - Ceiling luminaire - Built-in driver

Rev. 31/10/2023



Ceiling luminaire ideal for grazing lighting of external facades. Up&Down-Q is equipped with secondary optics for controlling the luminous flux, which allow design flexibility through different combinations of direct and indirect emission. Includes the use of LED sources with built-in driver with fixed or dimmable Dali output on request with a surcharge.



### FIXTURE SPECIFICATIONS

#### ASSEMBLY / USAGE

Ceiling installation

#### PROTECTION

IP 65 - IK 07

#### BODY

Die-cast aluminium

#### SCREEN

Tempered extra-clear glass 6mm with silk-screen printing

#### SEALS

Closed-cell EPDM rubber

#### SCREWS

Stainless steel A2

#### PAINT / FINISHING

Anti-corrosive UV stabilised polyester powder

#### SIZES

H 220 x L 100 x W 100

### ELECTRICAL SPECIFICATIONS

#### POWER SUPPLY

220-240Vac 50/60Hz

#### DRIVER

Built-in

#### DRIVER CURRENT

600mA

#### CONTROL

DALI available on request

#### POWER MODULE LED

11W

#### ABSORBED POWER

13W

#### SOURCE

LED COB

#### SOURCE FLUX

1359 lm

#### FIXTURE SOURCE

1233 lm

#### APPARENT EFFICIENCY

91 %

#### INSULATION CLASS

I

#### OVERVOLTAGE PROTECTION

2kV-4kV

#### OPERATING TA

50 °

#### CCT LED

3000K

#### CRI

>80

#### STEP MACADAM

3

#### LIFE TIME TM-21

L80B10 50000h

#### PHOTOBIOLOGICAL RISK

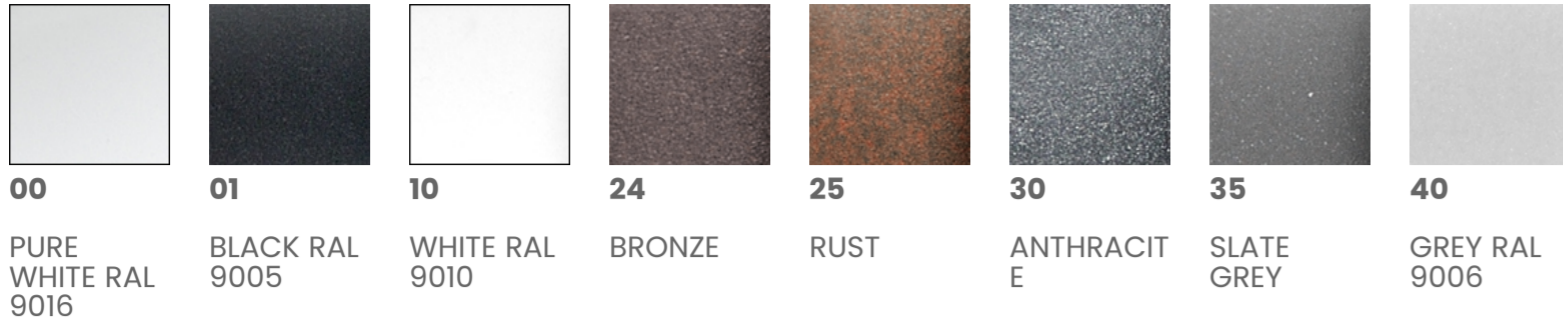
RG1

#### BEAM OPENING

Downlight Flood/10°

## COLORS

---



## ACCESSORIES

---



**E.TRA.580** Ultra compact type 2+3 hard wired surge protector. CLI - IP67. Disconnection signaling by indicator. AC disconnection in case of end of life.  
L 37 x W 30 x H 30

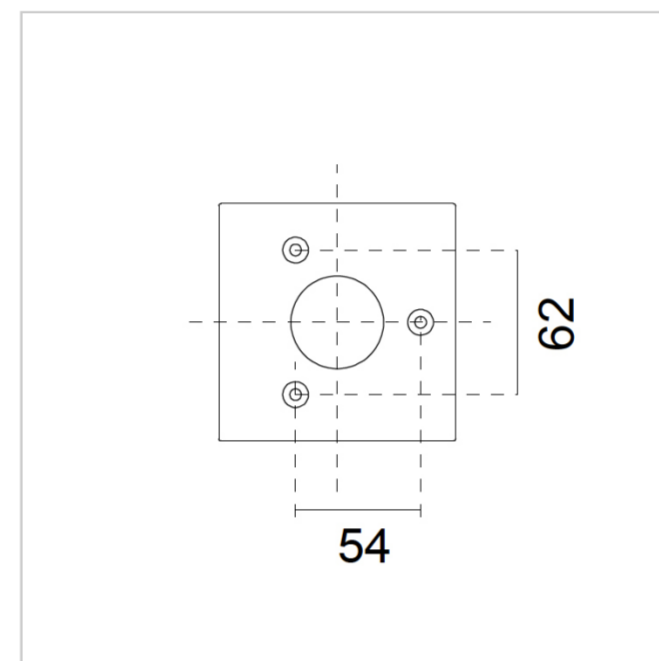
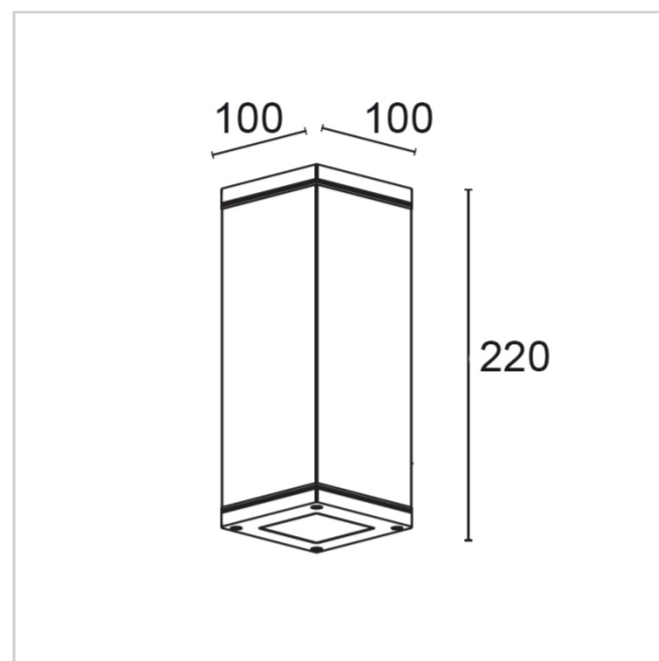
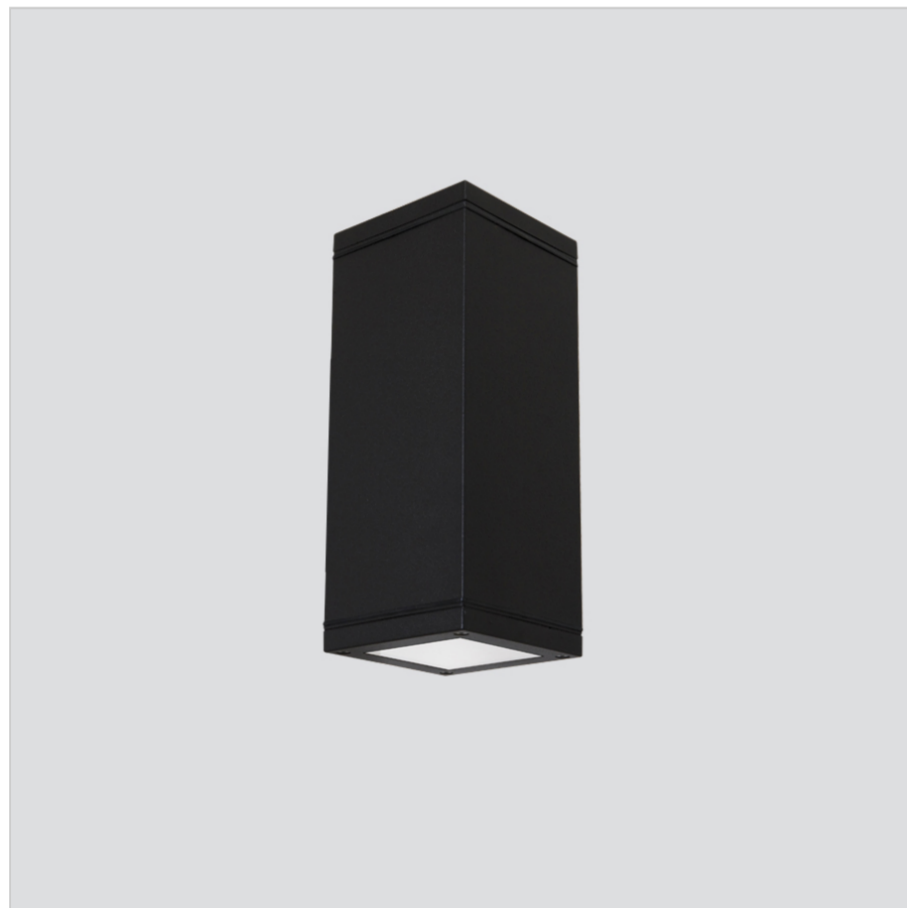
## Up&Down Q Ceiling 9814C/HC0.WB

Ceiling Lamps - Ceiling luminaire - Built-in driver

Rev. 31/10/2023



Ceiling luminaire ideal for grazing lighting of external facades. Up&Down-Q is equipped with secondary optics for controlling the luminous flux, which allow design flexibility through different combinations of direct and indirect emission. Includes the use of LED sources with built-in driver with fixed or dimmable Dali output on request with a surcharge.



### FIXTURE SPECIFICATIONS

#### ASSEMBLY / USAGE

Ceiling installation

#### PROTECTION

IP 65 - IK 07

#### BODY

Die-cast aluminium

#### SCREEN

Tempered extra-clear glass 6mm with silk-screen printing

#### SEALS

Closed-cell EPDM rubber

#### SCREWS

Stainless steel A2

#### PAINT / FINISHING

Anti-corrosive UV stabilised polyester powder

#### SIZES

H 220 x L 100 x W 100

### ELECTRICAL SPECIFICATIONS

#### POWER SUPPLY

220-240Vac 50/60Hz

#### DRIVER

Built-in

#### DRIVER CURRENT

600mA

#### CONTROL

DALI available on request

#### POWER MODULE LED

11W

#### ABSORBED POWER

13W

#### SOURCE

LED COB

#### SOURCE FLUX

1291 lm

#### FIXTURE SOURCE

1074 lm

#### APPARENT EFFICIENCY

83 %

#### INSULATION CLASS

I

#### OVERVOLTAGE PROTECTION

2kV-4kV

#### OPERATING TA

50 °

#### CCT LED

2700K

#### CRI

>80

#### STEP MACADAM

3

#### LIFE TIME TM-21

L80B10 50000h

#### PHOTOBIOLOGICAL RISK

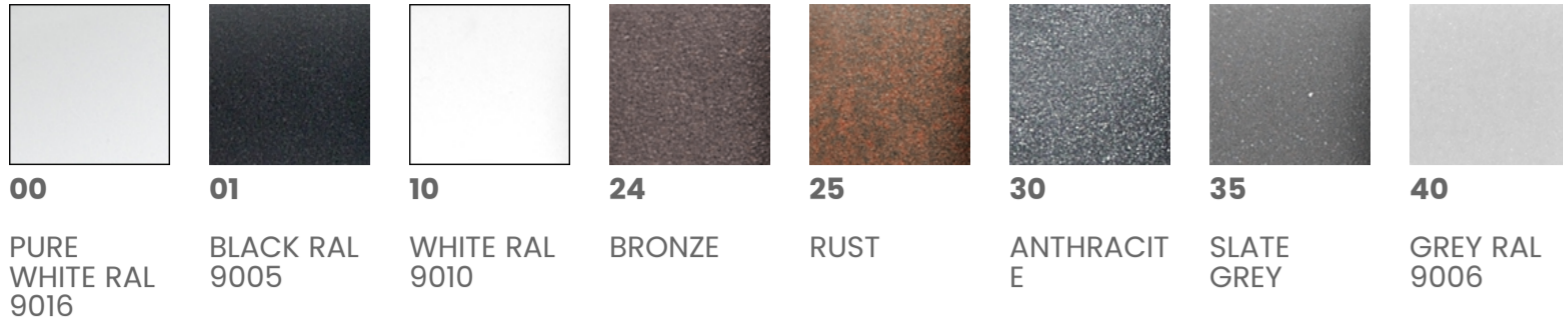
RG1

#### BEAM OPENING

Downlight Wide Flood/56°

## COLORS

---



## ACCESSORIES

---



**E.TRA.580** Ultra compact type 2+3 hard wired surge protector. CLI - IP67. Disconnection signaling by indicator. AC disconnection in case of end of life.  
L 37 x W 30 x H 30

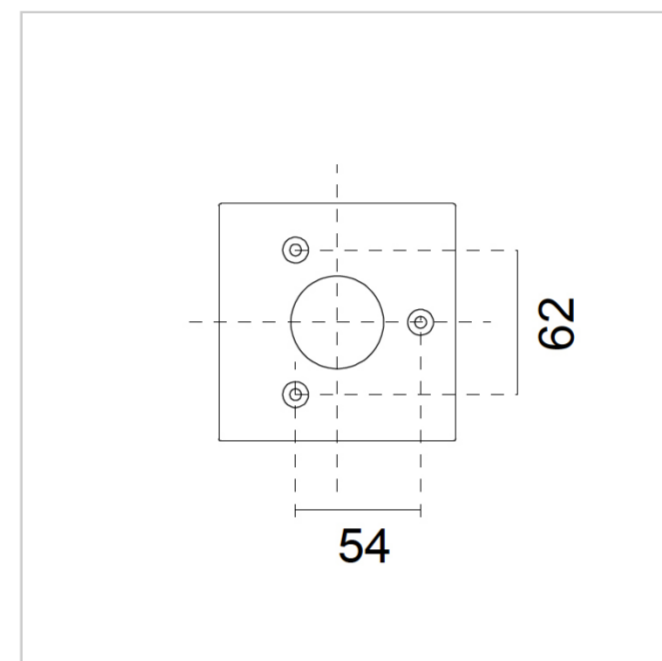
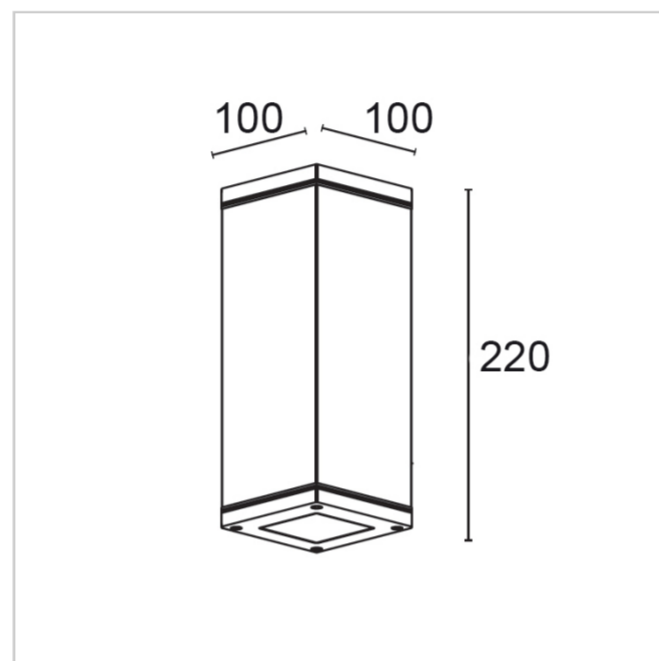
## Up&Down Q Ceiling 9814C/HC0.MB

Ceiling Lamps - Ceiling luminaire - Built-in driver

Rev. 31/10/2023



Ceiling luminaire ideal for grazing lighting of external facades. Up&Down-Q is equipped with secondary optics for controlling the luminous flux, which allow design flexibility through different combinations of direct and indirect emission. Includes the use of LED sources with built-in driver with fixed or dimmable Dali output on request with a surcharge.



### FIXTURE SPECIFICATIONS

#### ASSEMBLY / USAGE

Ceiling installation

#### PROTECTION

IP 65 - IK 07

#### BODY

Die-cast aluminium

#### SCREEN

Tempered extra-clear glass 6mm with silk-screen printing

#### SEALS

Closed-cell EPDM rubber

#### SCREWS

Stainless steel A2

#### PAINT / FINISHING

Anti-corrosive UV stabilised polyester powder

#### SIZES

H 220 x L 100 x W 100

### ELECTRICAL SPECIFICATIONS

#### POWER SUPPLY

220-240Vac 50/60Hz

#### DRIVER

Built-in

#### DRIVER CURRENT

600mA

#### CONTROL

DALI available on request

#### POWER MODULE LED

11W

#### ABSORBED POWER

13W

#### SOURCE

LED COB

#### SOURCE FLUX

1291 lm

#### FIXTURE SOURCE

1177 lm

#### APPARENT EFFICIENCY

91 %

#### INSULATION CLASS

I

#### OVERVOLTAGE PROTECTION

2kV-4kV

#### OPERATING TA

50 °

#### CCT LED

2700K

#### CRI

>80

#### STEP MACADAM

3

#### LIFE TIME TM-21

L80B10 50000h

#### PHOTOBIOLOGICAL RISK

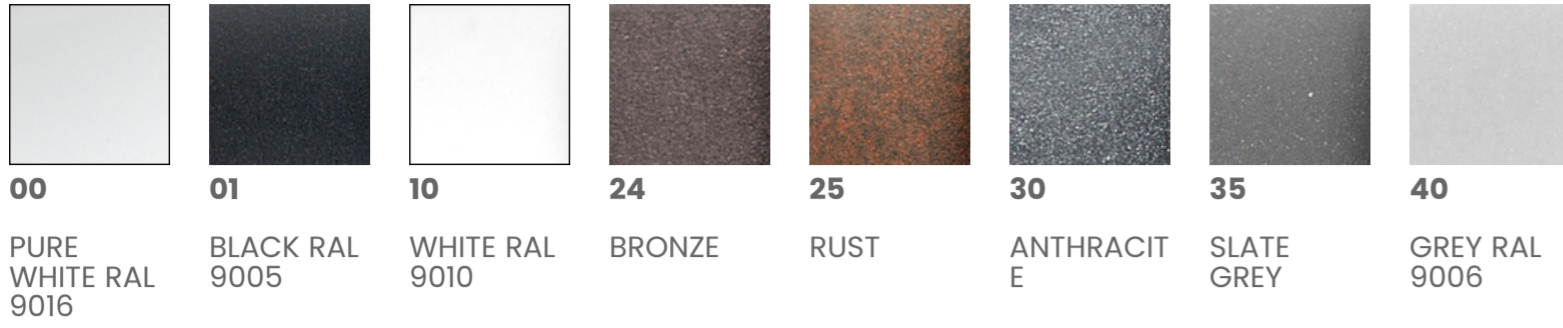
RG1

#### BEAM OPENING

Downlight Flood/26°

## COLORS

---



## ACCESSORIES

---



**E.TRA.580** Ultra compact type 2+3 hard wired surge protector. CLI - IP67. Disconnection signaling by indicator. AC disconnection in case of end of life.  
L 37 x W 30 x H 30



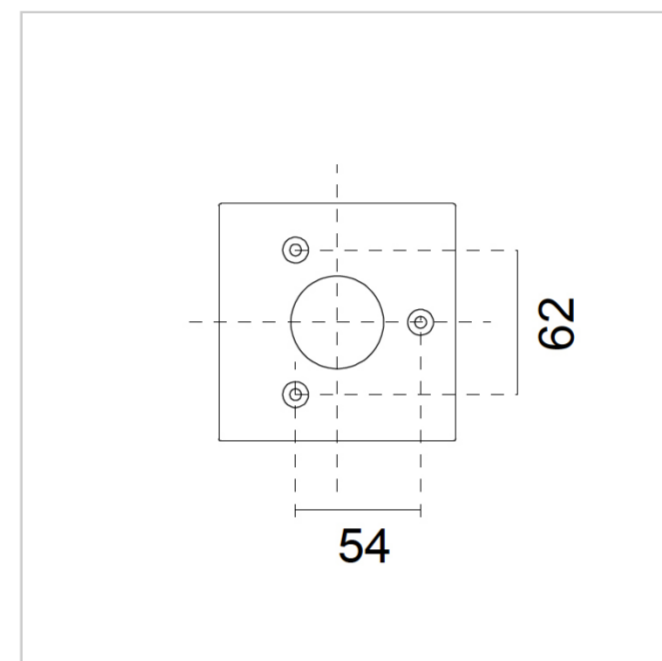
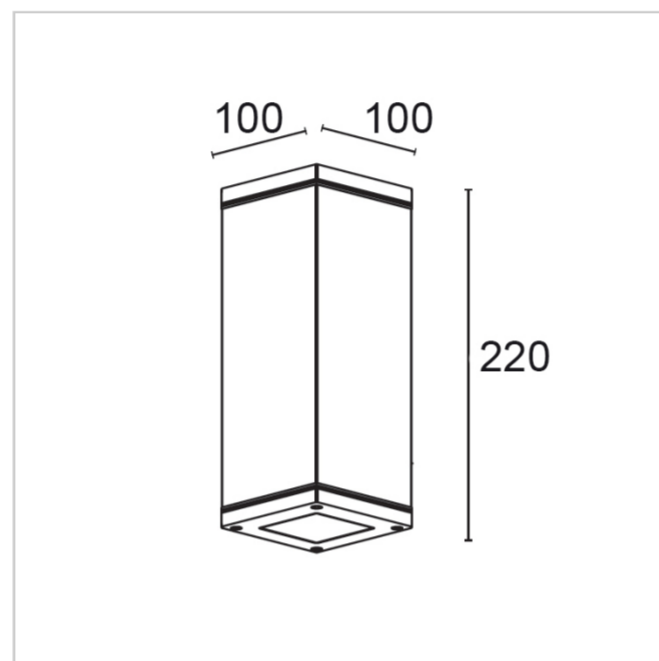
## Up&Down Q Ceiling 9814C/HC0.NB

Ceiling Lamps - Ceiling luminaire - Built-in driver

Rev. 31/10/2023



Ceiling luminaire ideal for grazing lighting of external facades. Up&Down-Q is equipped with secondary optics for controlling the luminous flux, which allow design flexibility through different combinations of direct and indirect emission. Includes the use of LED sources with built-in driver with fixed or dimmable Dali output on request with a surcharge.



### FIXTURE SPECIFICATIONS

#### ASSEMBLY / USAGE

Ceiling installation

#### PROTECTION

IP 65 - IK 07

#### BODY

Die-cast aluminium

#### SCREEN

Tempered extra-clear glass 6mm with silk-screen printing

#### SEALS

Closed-cell EPDM rubber

#### SCREWS

Stainless steel A2

#### PAINT / FINISHING

Anti-corrosive UV stabilised polyester powder

#### SIZES

H 220 x L 100 x W 100

### ELECTRICAL SPECIFICATIONS

#### POWER SUPPLY

220-240Vac 50/60Hz

#### DRIVER

Built-in

#### DRIVER CURRENT

600mA

#### CONTROL

DALI available on request

#### POWER MODULE LED

11W

#### ABSORBED POWER

13W

#### SOURCE

LED COB

#### SOURCE FLUX

1291 lm

#### FIXTURE SOURCE

1171 lm

#### APPARENT EFFICIENCY

91 %

#### INSULATION CLASS

I

#### OVERVOLTAGE PROTECTION

2kV-4kV

#### OPERATING TA

50 °

#### CCT LED

2700K

#### CRI

>80

#### STEP MACADAM

3

#### LIFE TIME TM-21

L80B10 50000h

#### PHOTOBIOLOGICAL RISK

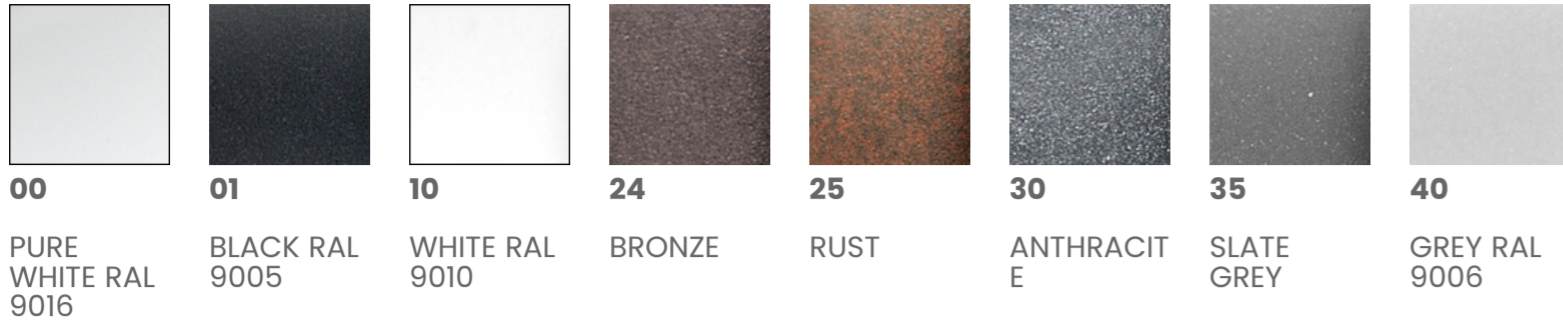
RG1

#### BEAM OPENING

Downlight Flood/10°

## COLORS

---



## ACCESSORIES

---



**E.TRA.580** Ultra compact type 2+3 hard wired surge protector. CLI - IP67. Disconnection signaling by indicator. AC disconnection in case of end of life.  
L 37 x W 30 x H 30