

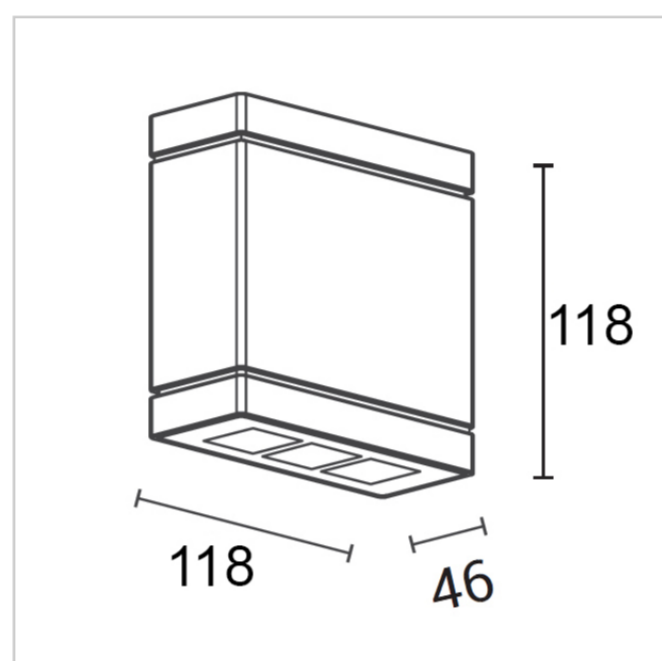
Modo Ceiling 601C1/NP70WB

Ceiling Lamps - Ceiling module

Rev. 31/10/2023



Ceiling lighting fixture with minimal lines and compact dimensions. Modo offers the possibility of combining it in a modular system, which can be combined in both planar directions, to form a different product with infinite capabilities. A system, therefore, more than a single volume, capable of evolving into multiple geometric and optical variants and thus supporting the multiple and diversified needs of the lighting designer. Dali dimmable on request with extra charge.



FIXTURE SPECIFICATIONS

ASSEMBLY / USAGE

Ceiling installation

PROTECTION

IP 65 - IK 07

BODY

Die-cast aluminium

SCREEN

Tempered extra-clear glass 4mm with silk-screen printing

SEALS

Closed-cell EPDM rubber

SCREWS

Stainless steel A2

PAINT / FINISHING

Anti-corrosive UV stabilised polyester powder

SIZES

H 118 x L 118 x W 46

ELECTRICAL SPECIFICATIONS

POWER SUPPLY

220-240Vac 50/60Hz

DRIVER

Built-in

DRIVER CURRENT

700mA

CONTROL

ON/OFF

SPECIFIC WIRING

Inclusa/Included

POWER MODULE LED

6W

ABSORBED POWER

8W

SOURCE

LED

SOURCE FLUX

900 lm

FIXTURE SOURCE

726 lm

APPARENT EFFICIENCY

81 %

INSULATION CLASS

I

OVERVOLTAGE PROTECTION

2kV-4kV

OPERATING TA

50 °

ENERGETIC CLASS

A

CCT LED

4000K

CRI

>80

STEP MACADAM

3

LIFE TIME TM-21

L80B10 50000h

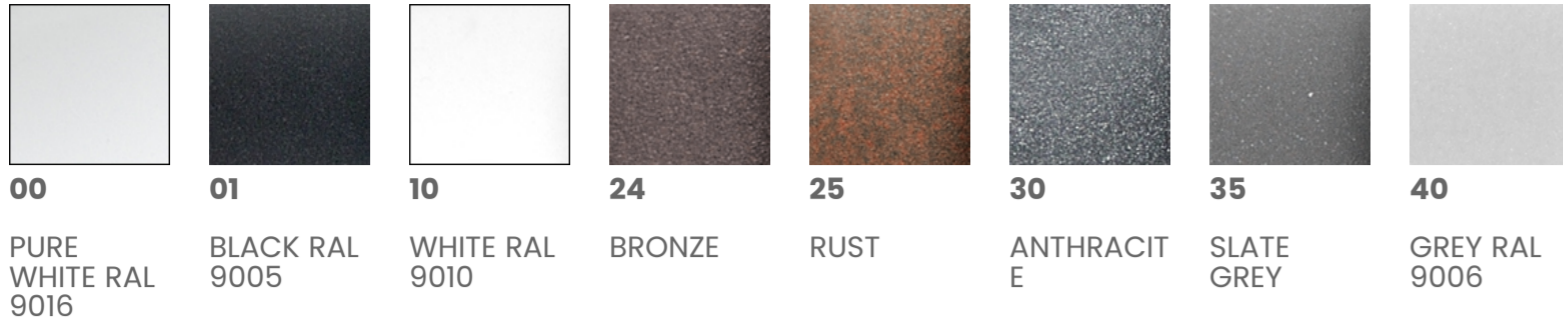
PHOTOBIOLOGICAL RISK

RG1

BEAM OPENING

Single/50°

COLORS



ACCESSORIES



E.TRA.580 Ultra compact type 2+3 hard wired surge protector. CLI - IP67. Disconnection signaling by indicator. AC disconnection in case of end of life.
L 37 x W 30 x H 30

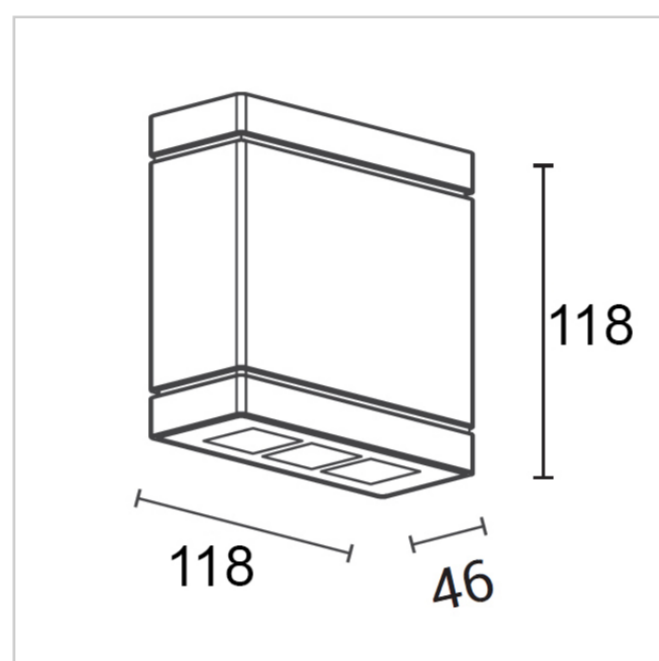
Modo Ceiling 601C1/NP70MB

Ceiling Lamps - Ceiling module

Rev. 31/10/2023



Ceiling lighting fixture with minimal lines and compact dimensions. Modo offers the possibility of combining it in a modular system, which can be combined in both planar directions, to form a different product with infinite capabilities. A system, therefore, more than a single volume, capable of evolving into multiple geometric and optical variants and thus supporting the multiple and diversified needs of the lighting designer. Dali dimmable on request with extra charge.



FIXTURE SPECIFICATIONS

ASSEMBLY / USAGE

Ceiling installation

PROTECTION

IP 65 - IK 07

BODY

Die-cast aluminium

SCREEN

Tempered extra-clear glass 4mm with silk-screen printing

SEALS

Closed-cell EPDM rubber

SCREWS

Stainless steel A2

PAINT / FINISHING

Anti-corrosive UV stabilised polyester powder

SIZES

H 118 x L 118 x W 46

ELECTRICAL SPECIFICATIONS

POWER SUPPLY

220-240Vac 50/60Hz

DRIVER

Built-in

DRIVER CURRENT

700mA

CONTROL

ON/OFF

SPECIFIC WIRING

Inclusa/Included

POWER MODULE LED

6W

ABSORBED POWER

8W

SOURCE

LED

SOURCE FLUX

900 lm

FIXTURE SOURCE

738 lm

APPARENT EFFICIENCY

82 %

INSULATION CLASS

I

OVERVOLTAGE PROTECTION

2kV-4kV

OPERATING TA

50 °

ENERGETIC CLASS

A

CCT LED

4000K

CRI

>80

STEP MACADAM

3

LIFE TIME TM-21

L80B10 50000h

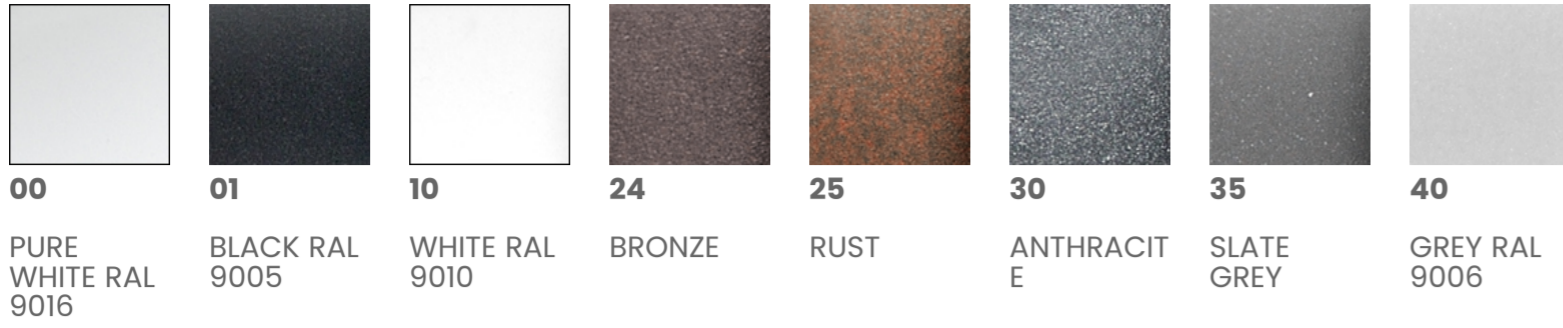
PHOTOBIOLOGICAL RISK

RG1

BEAM OPENING

Single/28°

COLORS



ACCESSORIES



E.TRA.580 Ultra compact type 2+3 hard wired surge protector. CLI - IP67. Disconnection signaling by indicator. AC disconnection in case of end of life.
L 37 x W 30 x H 30

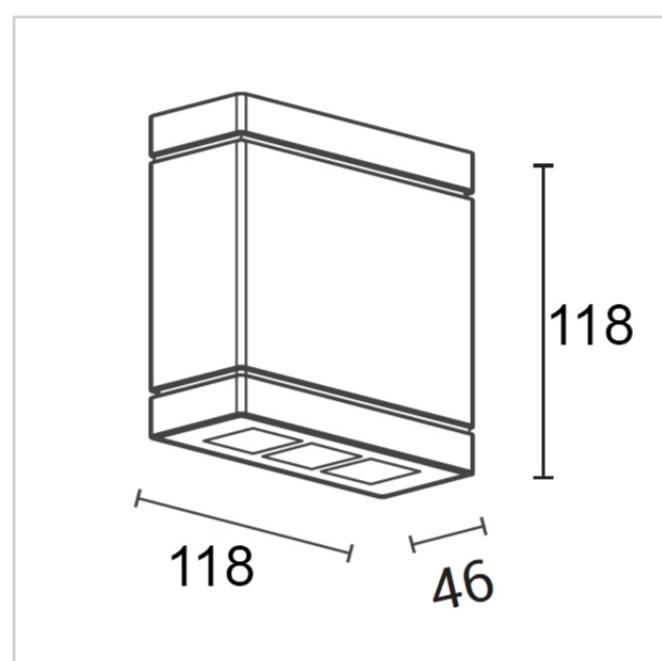
Modo Ceiling 601C1/NP70NB

Ceiling Lamps - Ceiling module

Rev. 31/10/2023



Ceiling lighting fixture with minimal lines and compact dimensions. Modulo offers the possibility of combining it in a modular system, which can be combined in both planar directions, to form a different product with infinite capabilities. A system, therefore, more than a single volume, capable of evolving into multiple geometric and optical variants and thus supporting the multiple and diversified needs of the lighting designer. Dali dimmable on request with extra charge.



FIXTURE SPECIFICATIONS

ASSEMBLY / USAGE

Ceiling installation

PROTECTION

IP 65 - IK 07

BODY

Die-cast aluminium

SCREEN

Tempered extra-clear glass 4mm with silk-screen printing

SEALS

Closed-cell EPDM rubber

SCREWS

Stainless steel A2

PAINT / FINISHING

Anti-corrosive UV stabilised polyester powder

SIZES

H 118 x L 118 x W 46

ELECTRICAL SPECIFICATIONS

POWER SUPPLY

220-240Vac 50/60Hz

DRIVER

Built-in

DRIVER CURRENT

700mA

CONTROL

ON/OFF

SPECIFIC WIRING

Inclusa/Included

POWER MODULE LED

6W

ABSORBED POWER

8W

SOURCE

LED

SOURCE FLUX

900 lm

FIXTURE SOURCE

741 lm

APPARENT EFFICIENCY

82 %

INSULATION CLASS

I

OVERVOLTAGE PROTECTION

2kV-4kV

OPERATING TA

50 °

ENERGETIC CLASS

A

CCT LED

4000K

CRI

>80

STEP MACADAM

3

LIFE TIME TM-21

L80B10 50000h

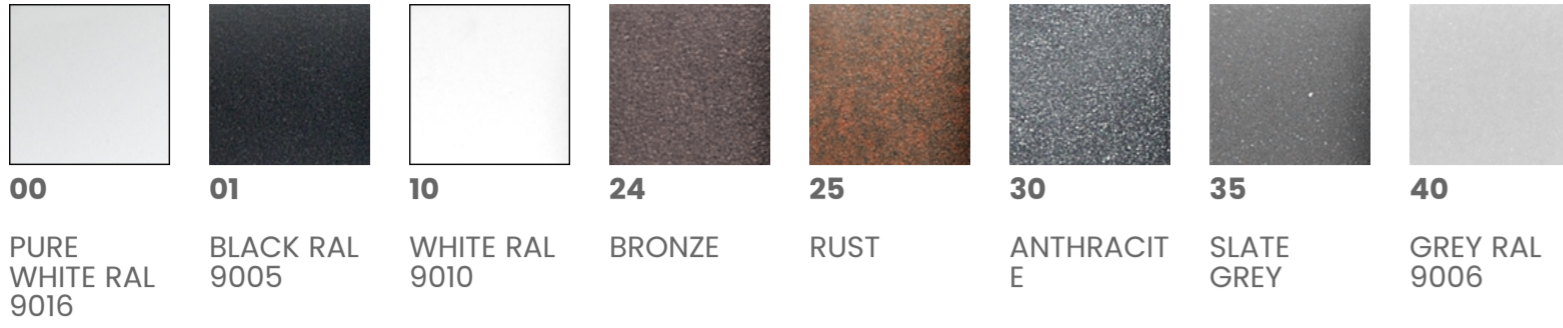
PHOTOBIOLOGICAL RISK

RG1

BEAM OPENING

Single/12°

COLORS



ACCESSORIES



E.TRA.580 Ultra compact type 2+3 hard wired surge protector. CLI - IP67. Disconnection signaling by indicator. AC disconnection in case of end of life.
L 37 x W 30 x H 30

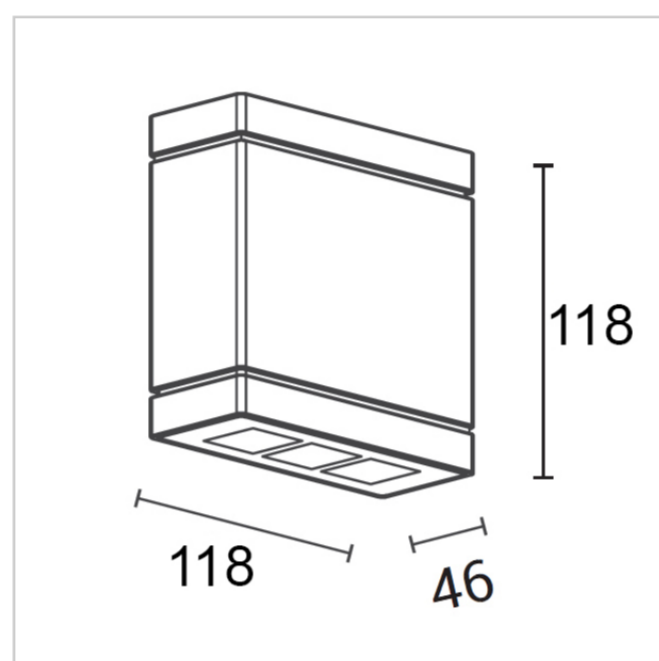
Modo Ceiling 601C1/WP70WB

Ceiling Lamps - Ceiling module

Rev. 31/10/2023



Ceiling lighting fixture with minimal lines and compact dimensions. Modo offers the possibility of combining it in a modular system, which can be combined in both planar directions, to form a different product with infinite capabilities. A system, therefore, more than a single volume, capable of evolving into multiple geometric and optical variants and thus supporting the multiple and diversified needs of the lighting designer. Dali dimmable on request with extra charge.



FIXTURE SPECIFICATIONS

ASSEMBLY / USAGE

Ceiling installation

PROTECTION

IP 65 - IK 07

BODY

Die-cast aluminium

SCREEN

Tempered extra-clear glass 4mm with silk-screen printing

SEALS

Closed-cell EPDM rubber

SCREWS

Stainless steel A2

PAINT / FINISHING

Anti-corrosive UV stabilised polyester powder

SIZES

H 118 x L 118 x W 46

ELECTRICAL SPECIFICATIONS

POWER SUPPLY

220-240Vac 50/60Hz

DRIVER

Built-in

DRIVER CURRENT

700mA

CONTROL

ON/OFF

SPECIFIC WIRING

Inclusa/Included

POWER MODULE LED

6W

ABSORBED POWER

8W

SOURCE

LED

SOURCE FLUX

790 lm

FIXTURE SOURCE

643 lm

APPARENT EFFICIENCY

81 %

INSULATION CLASS

I

OVERVOLTAGE PROTECTION

2kV-4kV

OPERATING TA

50 °

ENERGETIC CLASS

A

CCT LED

3000K

CRI

>80

STEP MACADAM

3

LIFE TIME TM-21

L80B10 50000h

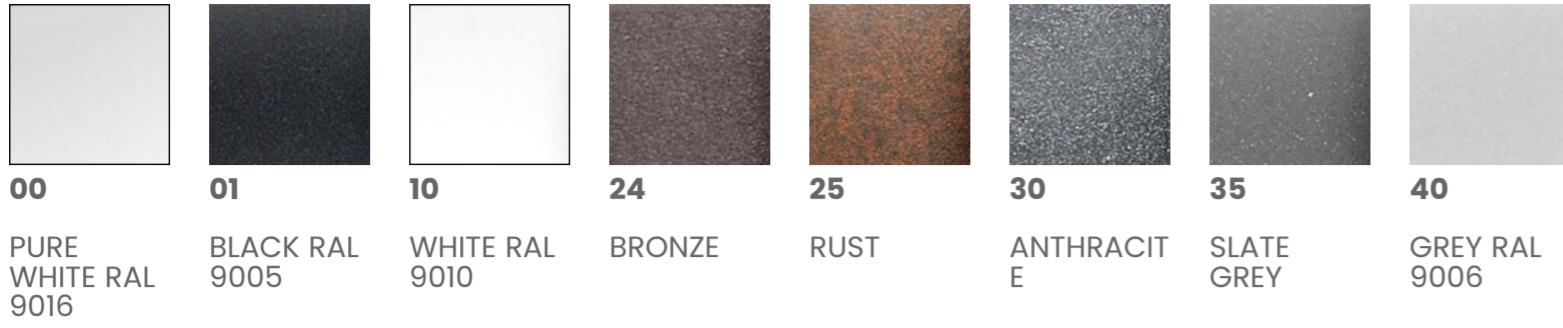
PHOTOBIOLOGICAL RISK

RG1

BEAM OPENING

Single/50°

COLORS



ACCESSORIES



E.TRA.580 Ultra compact type 2+3 hard wired surge protector. CLI - IP67. Disconnection signaling by indicator. AC disconnection in case of end of life.
L 37 x W 30 x H 30

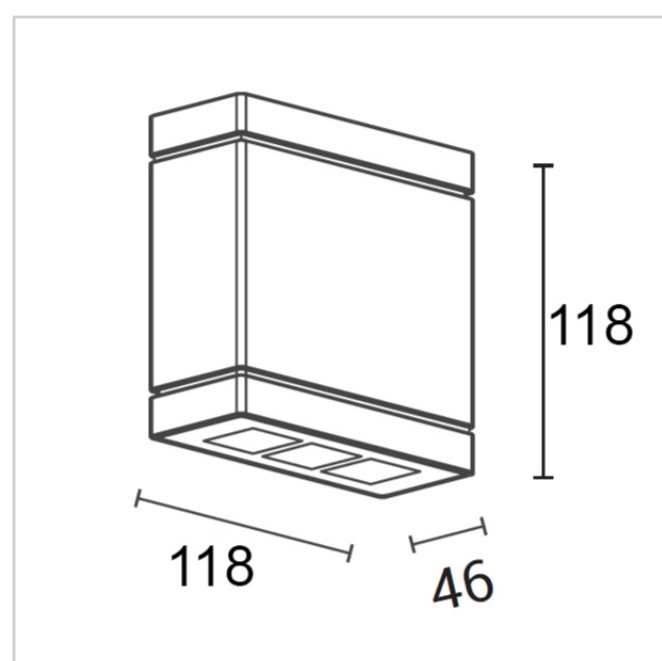
Modo Ceiling 601C1/WP70MB

Ceiling Lamps - Ceiling module

Rev. 31/10/2023



Ceiling lighting fixture with minimal lines and compact dimensions. Modo offers the possibility of combining it in a modular system, which can be combined in both planar directions, to form a different product with infinite capabilities. A system, therefore, more than a single volume, capable of evolving into multiple geometric and optical variants and thus supporting the multiple and diversified needs of the lighting designer. Dali dimmable on request with extra charge.



FIXTURE SPECIFICATIONS

ASSEMBLY / USAGE

Ceiling installation

PROTECTION

IP 65 - IK 07

BODY

Die-cast aluminium

SCREEN

Tempered extra-clear glass 4mm with silk-screen printing

SEALS

Closed-cell EPDM rubber

SCREWS

Stainless steel A2

PAINT / FINISHING

Anti-corrosive UV stabilised polyester powder

SIZES

H 118 x L 118 x W 46

ELECTRICAL SPECIFICATIONS

POWER SUPPLY

220-240Vac 50/60Hz

DRIVER

Built-in

DRIVER CURRENT

700mA

CONTROL

ON/OFF

SPECIFIC WIRING

Inclusa/Included

POWER MODULE LED

6W

ABSORBED POWER

8W

SOURCE

LED

SOURCE FLUX

790 lm

FIXTURE SOURCE

656 lm

APPARENT EFFICIENCY

83 %

INSULATION CLASS

I

OVERVOLTAGE PROTECTION

2kV-4kV

OPERATING TA

50 °

ENERGETIC CLASS

A

CCT LED

3000K

CRI

>80

STEP MACADAM

3

LIFE TIME TM-21

L80B10 50000h

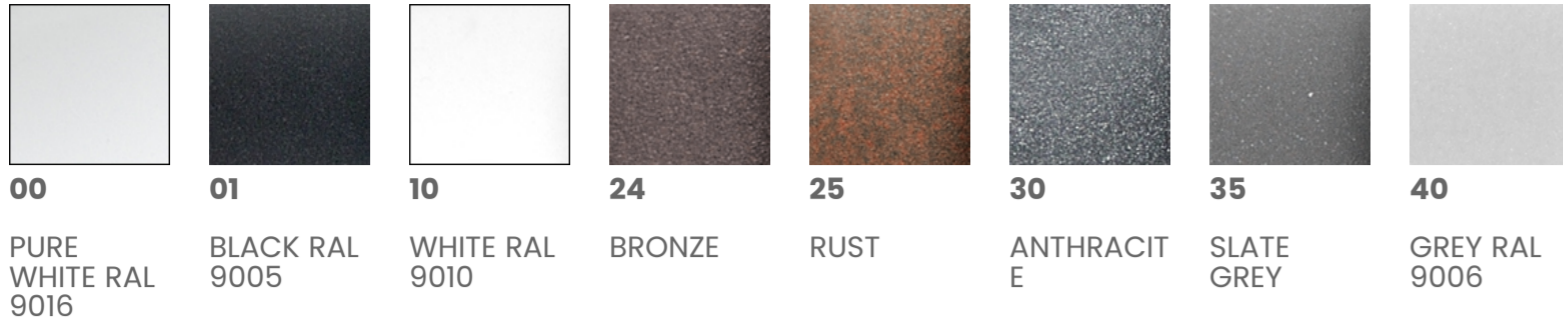
PHOTOBIOLOGICAL RISK

RG1

BEAM OPENING

Single/28°

COLORS



ACCESSORIES



E.TRA.580 Ultra compact type 2+3 hard wired surge protector. CLI - IP67. Disconnection signaling by indicator. AC disconnection in case of end of life.
L 37 x W 30 x H 30

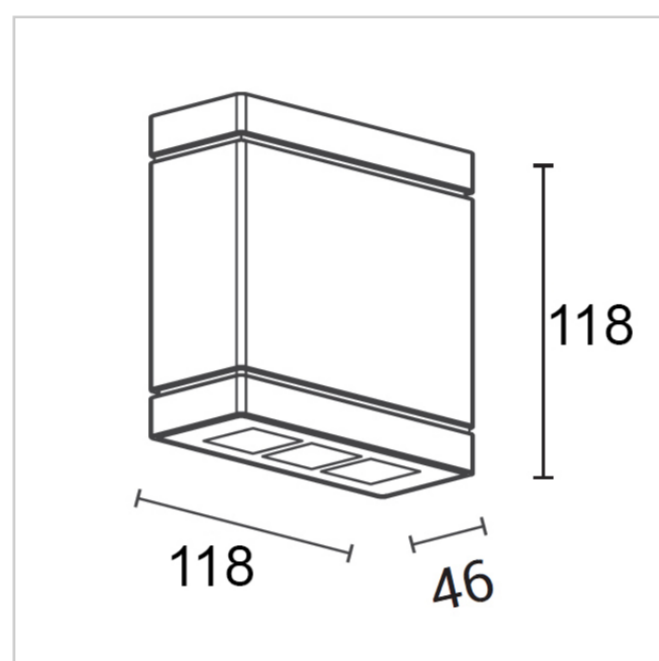
Modo Ceiling 601C1/WP70NB

Ceiling Lamps - Ceiling module

Rev. 31/10/2023



Ceiling lighting fixture with minimal lines and compact dimensions. Modo offers the possibility of combining it in a modular system, which can be combined in both planar directions, to form a different product with infinite capabilities. A system, therefore, more than a single volume, capable of evolving into multiple geometric and optical variants and thus supporting the multiple and diversified needs of the lighting designer. Dali dimmable on request with extra charge.



FIXTURE SPECIFICATIONS

ASSEMBLY / USAGE

Ceiling installation

PROTECTION

IP 65 - IK 07

BODY

Die-cast aluminium

SCREEN

Tempered extra-clear glass 4mm with silk-screen printing

SEALS

Closed-cell EPDM rubber

SCREWS

Stainless steel A2

PAINT / FINISHING

Anti-corrosive UV stabilised polyester powder

SIZES

H 118 x L 118 x W 46

ELECTRICAL SPECIFICATIONS

POWER SUPPLY

220-240Vac 50/60Hz

DRIVER

Built-in

DRIVER CURRENT

700mA

CONTROL

ON/OFF

SPECIFIC WIRING

Inclusa/Included

POWER MODULE LED

6W

ABSORBED POWER

8W

SOURCE

LED

SOURCE FLUX

790 lm

FIXTURE SOURCE

662 lm

APPARENT EFFICIENCY

84 %

INSULATION CLASS

I

OVERVOLTAGE PROTECTION

2kV-4kV

OPERATING TA

50 °

ENERGETIC CLASS

A

CCT LED

3000K

CRI

>80

STEP MACADAM

3

LIFE TIME TM-21

L80B10 50000h

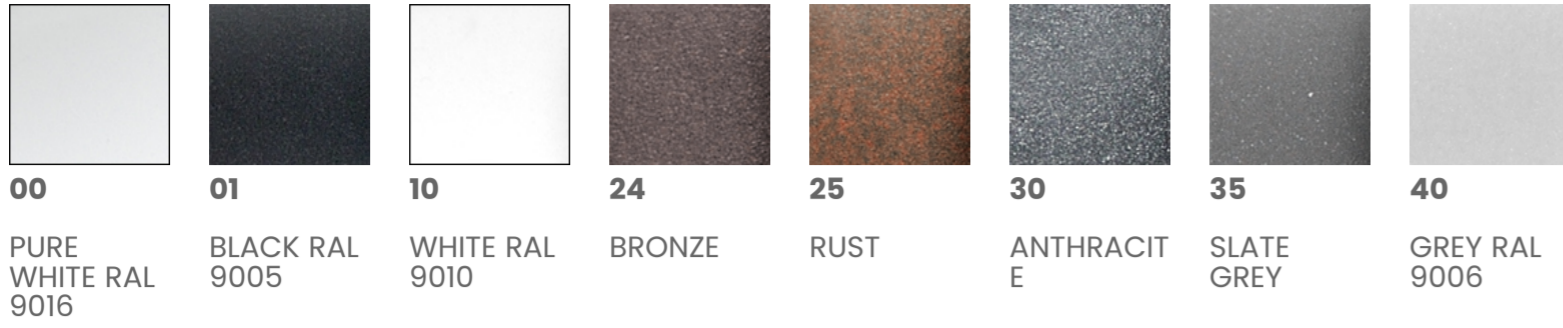
PHOTOBIOLOGICAL RISK

RG1

BEAM OPENING

Single/12°

COLORS



ACCESSORIES



E.TRA.580 Ultra compact type 2+3 hard wired surge protector. CLI - IP67. Disconnection signaling by indicator. AC disconnection in case of end of life.
L 37 x W 30 x H 30

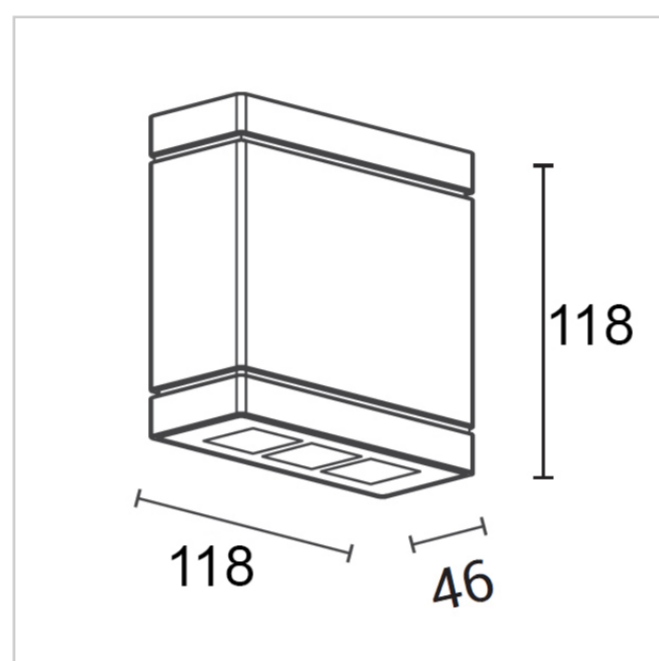
Modo Ceiling 601C1/HP70WB

Ceiling Lamps - Ceiling module

Rev. 31/10/2023



Ceiling lighting fixture with minimal lines and compact dimensions. Modo offers the possibility of combining it in a modular system, which can be combined in both planar directions, to form a different product with infinite capabilities. A system, therefore, more than a single volume, capable of evolving into multiple geometric and optical variants and thus supporting the multiple and diversified needs of the lighting designer. Dali dimmable on request with extra charge.



FIXTURE SPECIFICATIONS

ASSEMBLY / USAGE

Ceiling installation

PROTECTION

IP 65 - IK 07

BODY

Die-cast aluminium

SCREEN

Tempered extra-clear glass 4mm with silk-screen printing

SEALS

Closed-cell EPDM rubber

SCREWS

Stainless steel A2

PAINT / FINISHING

Anti-corrosive UV stabilised polyester powder

SIZES

H 118 x L 118 x W 46

ELECTRICAL SPECIFICATIONS

POWER SUPPLY

220-240Vac 50/60Hz

DRIVER

Built-in

DRIVER CURRENT

700mA

CONTROL

ON/OFF

SPECIFIC WIRING

Inclusa/Included

POWER MODULE LED

6W

ABSORBED POWER

8W

SOURCE

LED

SOURCE FLUX

750 lm

FIXTURE SOURCE

610 lm

APPARENT EFFICIENCY

81 %

INSULATION CLASS

I

OVERVOLTAGE PROTECTION

2kV-4kV

OPERATING TA

50 °

ENERGETIC CLASS

A

CCT LED

2700K

CRI

>80

STEP MACADAM

3

LIFE TIME TM-21

L80B10 50000h

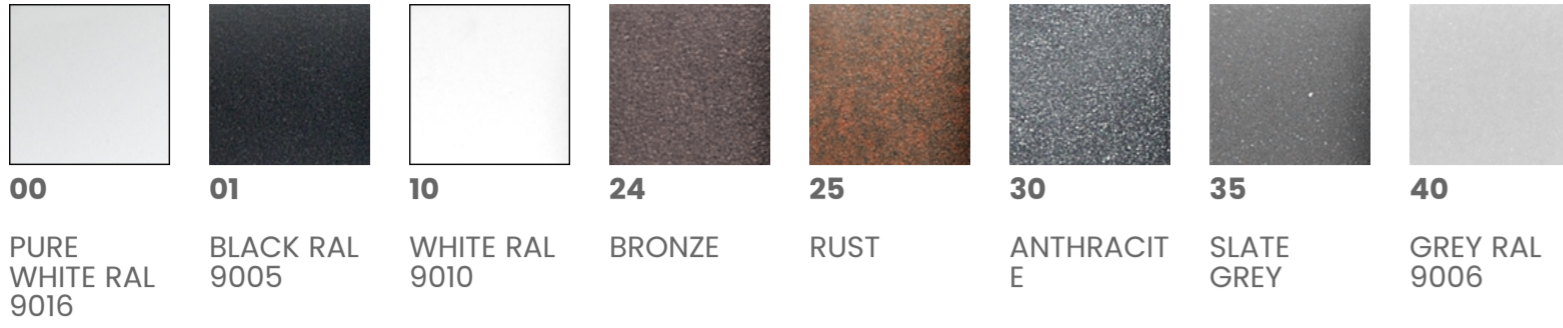
PHOTOBIOLOGICAL RISK

RG1

BEAM OPENING

Single/50°

COLORS



ACCESSORIES



E.TRA.580 Ultra compact type 2+3 hard wired surge protector. CLI - IP67. Disconnection signaling by indicator. AC disconnection in case of end of life.
L 37 x W 30 x H 30

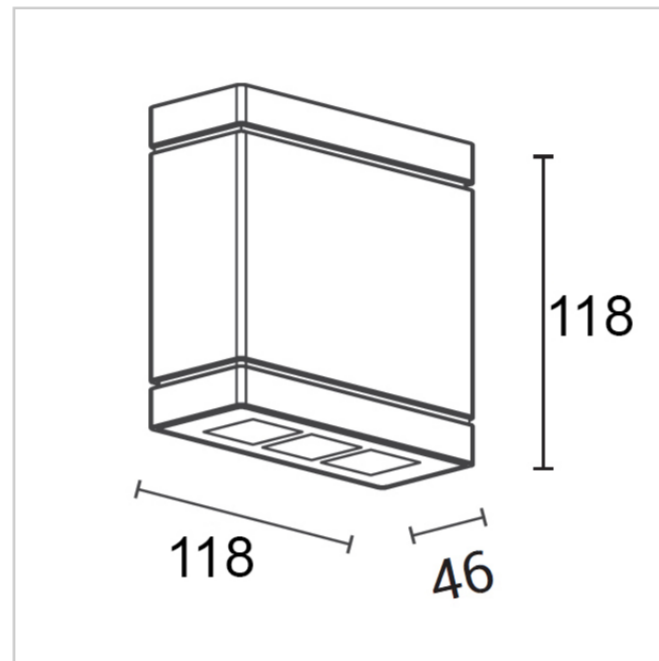
Modo Ceiling 601C1/HP70MB

Ceiling Lamps - Ceiling module

Rev. 31/10/2023



Ceiling lighting fixture with minimal lines and compact dimensions. Modo offers the possibility of combining it in a modular system, which can be combined in both planar directions, to form a different product with infinite capabilities. A system, therefore, more than a single volume, capable of evolving into multiple geometric and optical variants and thus supporting the multiple and diversified needs of the lighting designer. Dali dimmable on request with extra charge.



FIXTURE SPECIFICATIONS

ASSEMBLY / USAGE

Ceiling installation

PROTECTION

IP 65 - IK 07

BODY

Die-cast aluminium

SCREEN

Tempered extra-clear glass 4mm with silk-screen printing

SEALS

Closed-cell EPDM rubber

SCREWS

Stainless steel A2

PAINT / FINISHING

Anti-corrosive UV stabilised polyester powder

SIZES

H 118 x L 118 x W 46

ELECTRICAL SPECIFICATIONS

POWER SUPPLY

220-240Vac 50/60Hz

DRIVER

Built-in

DRIVER CURRENT

700mA

CONTROL

ON/OFF

SPECIFIC WIRING

Inclusa/Included

POWER MODULE LED

6W

ABSORBED POWER

8W

SOURCE

LED

SOURCE FLUX

750 lm

FIXTURE SOURCE

623 lm

APPARENT EFFICIENCY

83 %

INSULATION CLASS

I

OVERVOLTAGE PROTECTION

2kV-4kV

OPERATING TA

50 °

ENERGETIC CLASS

A

CCT LED

2700K

CRI

>80

STEP MACADAM

3

LIFE TIME TM-21

L80B10 50000h

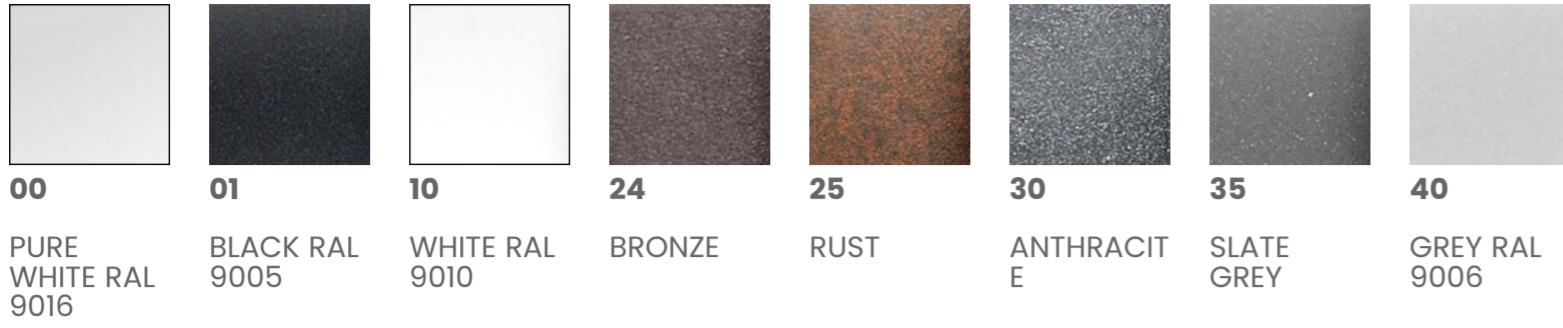
PHOTOBIOLOGICAL RISK

RG1

BEAM OPENING

Single/28°

COLORS



ACCESSORIES



E.TRA.580 Ultra compact type 2+3 hard wired surge protector. CLI - IP67. Disconnection signaling by indicator. AC disconnection in case of end of life.
L 37 x W 30 x H 30

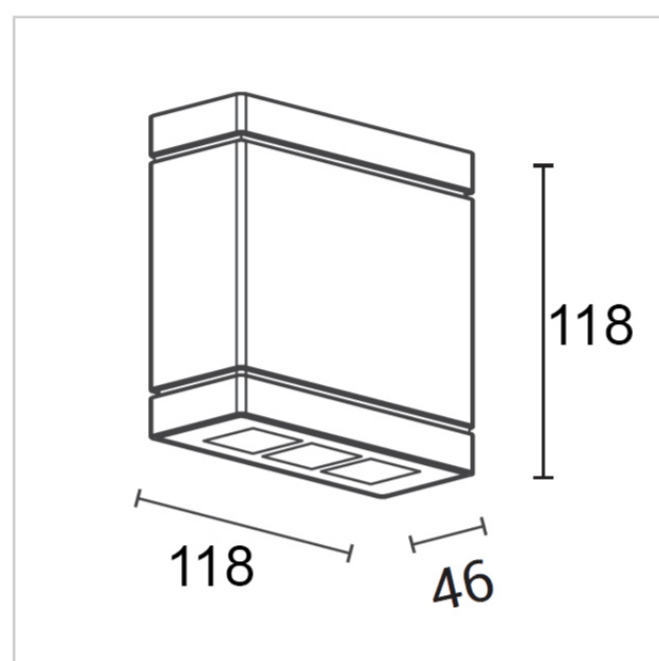
Modo Ceiling 601C1/HP70NB

Ceiling Lamps - Ceiling module

Rev. 31/10/2023



Ceiling lighting fixture with minimal lines and compact dimensions. Modo offers the possibility of combining it in a modular system, which can be combined in both planar directions, to form a different product with infinite capabilities. A system, therefore, more than a single volume, capable of evolving into multiple geometric and optical variants and thus supporting the multiple and diversified needs of the lighting designer. Dali dimmable on request with extra charge.



FIXTURE SPECIFICATIONS

ASSEMBLY / USAGE

Ceiling installation

PROTECTION

IP 65 - IK 07

BODY

Die-cast aluminium

SCREEN

Tempered extra-clear glass 4mm with silk-screen printing

SEALS

Closed-cell EPDM rubber

SCREWS

Stainless steel A2

PAINT / FINISHING

Anti-corrosive UV stabilised polyester powder

SIZES

H 118 x L 118 x W 46

ELECTRICAL SPECIFICATIONS

POWER SUPPLY

220-240Vac 50/60Hz

DRIVER

Built-in

DRIVER CURRENT

700mA

CONTROL

ON/OFF

SPECIFIC WIRING

Inclusa/Included

POWER MODULE LED

6W

ABSORBED POWER

8W

SOURCE

LED

SOURCE FLUX

750 lm

FIXTURE SOURCE

628 lm

APPARENT EFFICIENCY

84 %

INSULATION CLASS

I

OVERVOLTAGE PROTECTION

2kV-4kV

OPERATING TA

50 °

ENERGETIC CLASS

A

CCT LED

2700K

CRI

>80

STEP MACADAM

3

LIFE TIME TM-21

L80B10 50000h

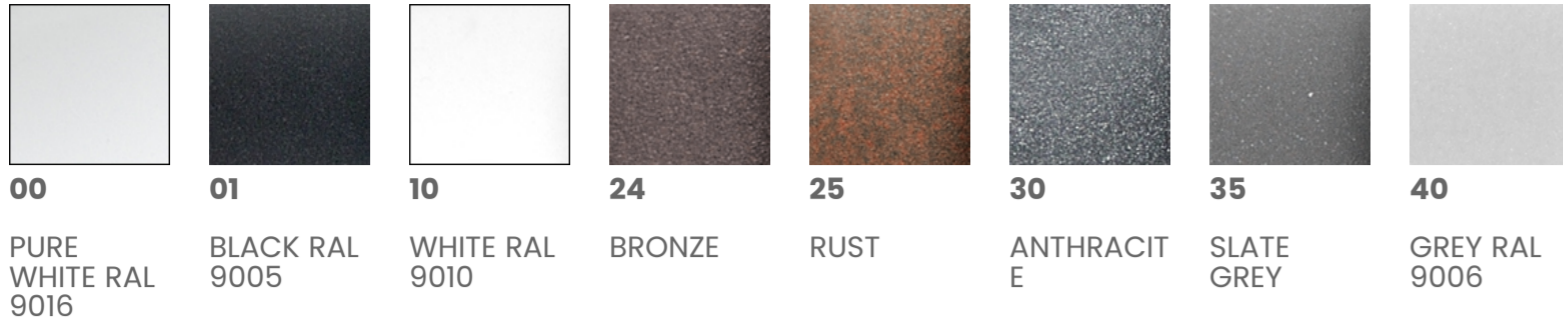
PHOTOBIOLOGICAL RISK

RG1

BEAM OPENING

Single/12°

COLORS



ACCESSORIES



E.TRA.580 Ultra compact type 2+3 hard wired surge protector. CLI - IP67. Disconnection signaling by indicator. AC disconnection in case of end of life.
L 37 x W 30 x H 30